

# BYRNE™

## INSTALLATION INSTRUCTIONS FOR BYRNE LEVEL®

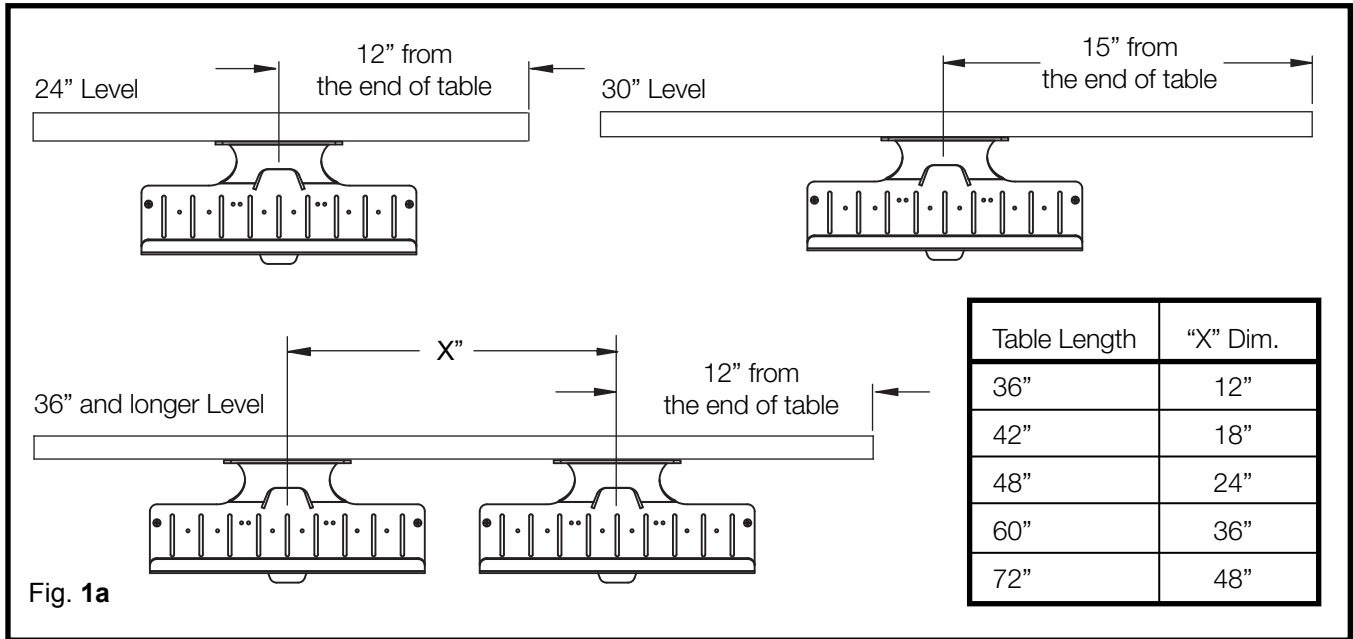
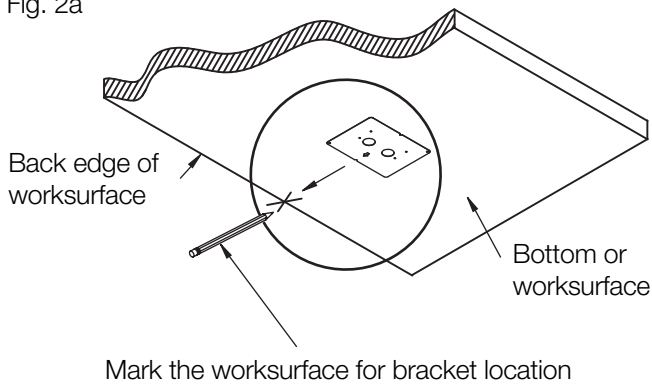
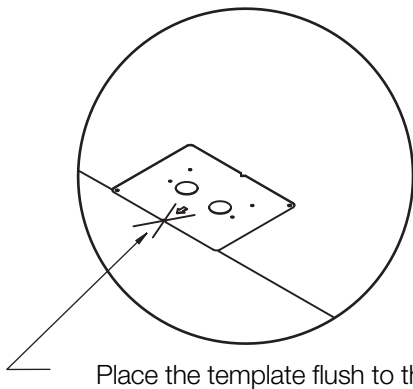


Fig. 2a



1. Mark the back edge of the worksurface at the center location (Fig. 2a) for each bracket using the above dimensions (Fig. 1a).

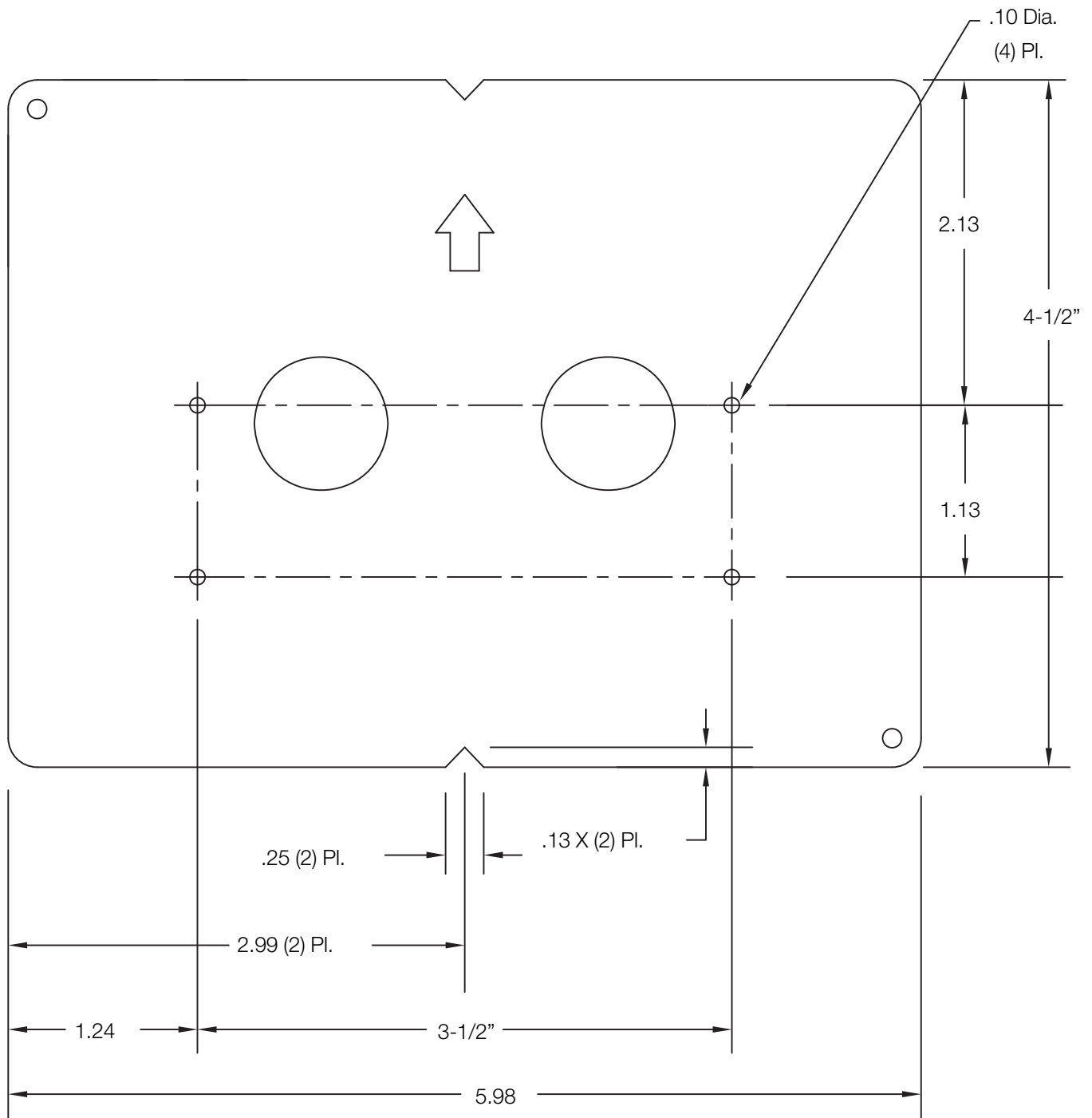
Fig. 3a



2. Place the template flush to the back edge of the worksurface, with the arrow pointing to the edge (Fig. 3a) and mark the 4 pilot hole locations. (Template included in kit on page 2).

3. Drill four pilot holes for a 1/4-14 screw. (Note: Because ables vary in thickness, screws not provided).

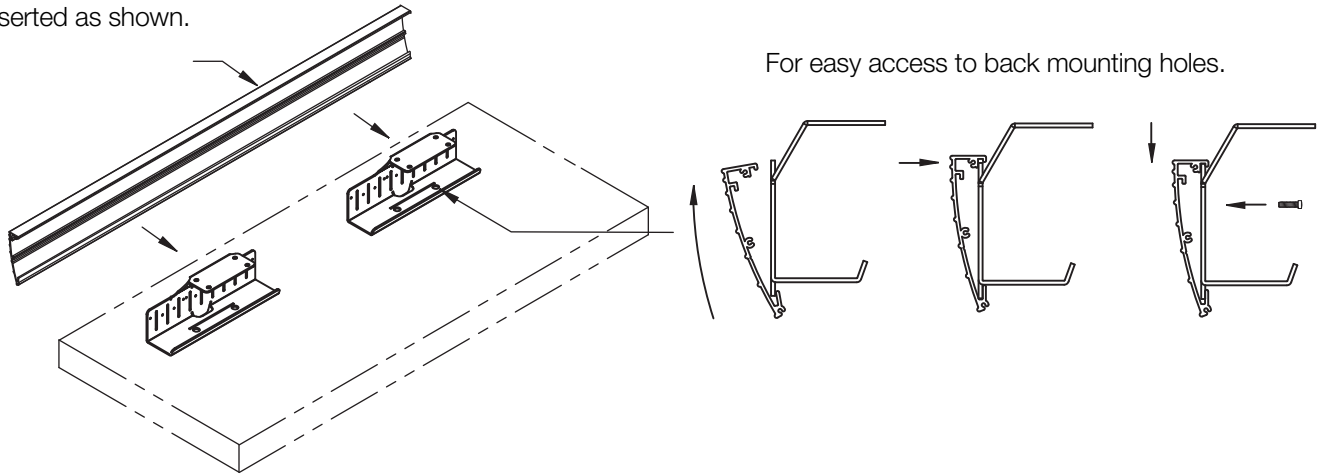
#### 4. Level Template



Note: Measure deminsion to insure template is to scale before using template provided.

5. Attach extruded rail and center along the table length.

Note: Extruded rail can only be inserted as shown.



6. Install screws and 4-Trac Brackets

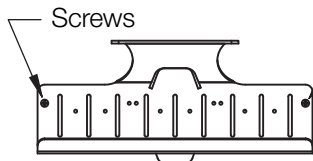


Figure 6a: Level 2, all lengths

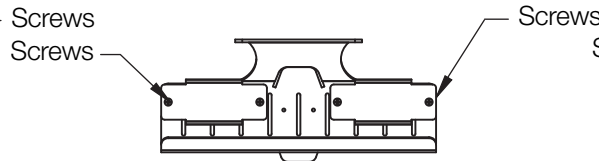


Figure 6b: Level 3, & Level 4 Length 30"

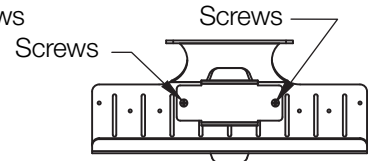
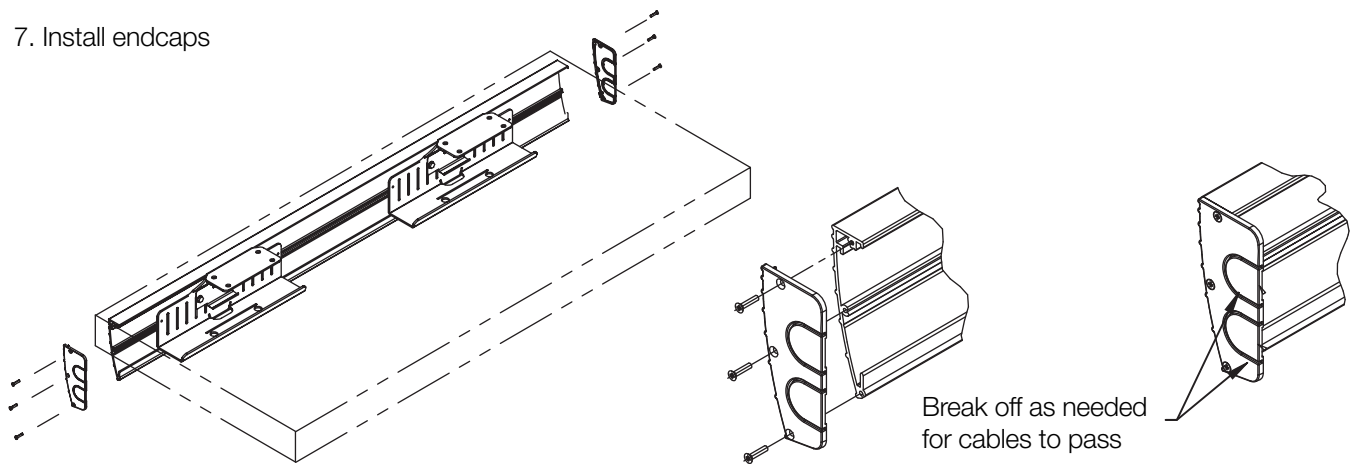


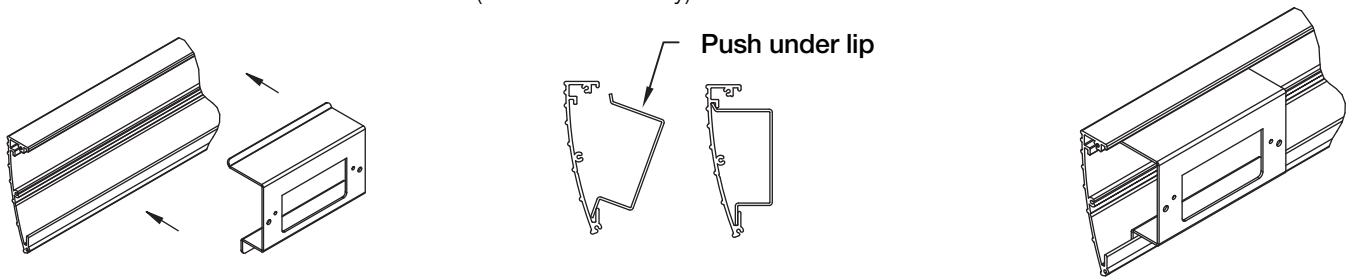
Figure 6c: Level 3, & Level 4 Length 24", 36", 42", 48" and 60"

Note: If there's no power in the kit, use screw locations shown in Figure 6a. If there is power, use screw locations shown in Figures 6b and 6c per table length.

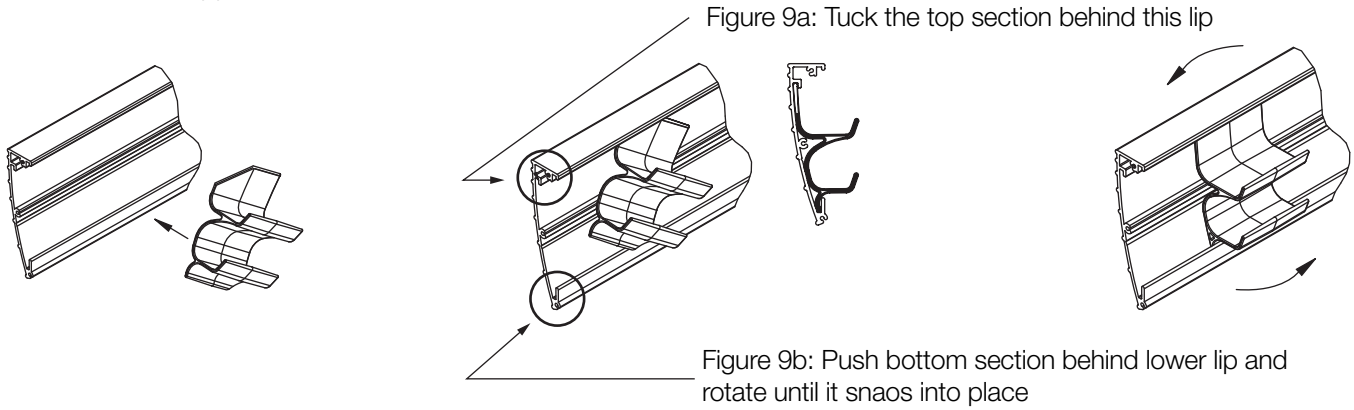
7. Install endcaps



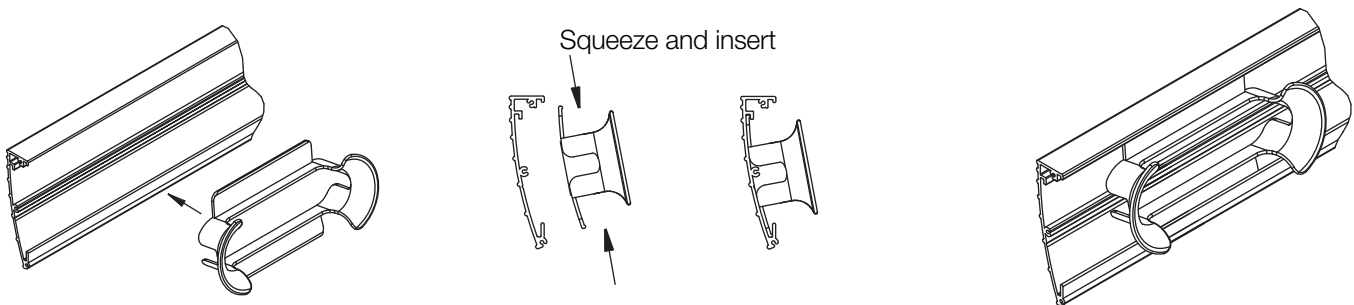
8. Install Data Bracket BE02118 if desired (Level 2 and 3 only)



9. Install cable support bracket BE02069



10. Install cord wrap BE02070 if desired (Level 2 and 3 only)



11. Install cover MC02066 (Level 4 only)

