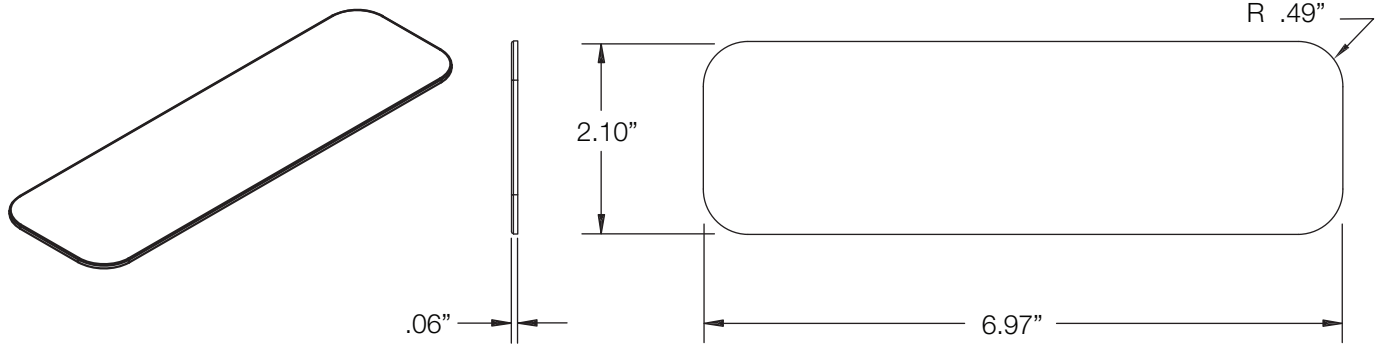
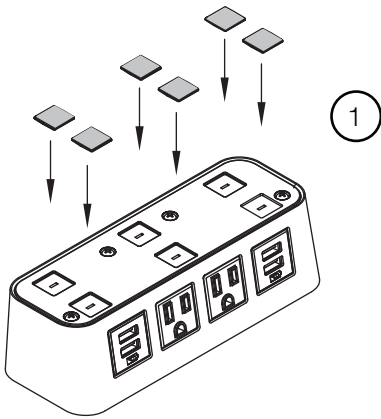


# BYRNE™

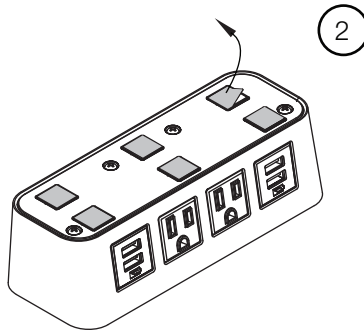
## INSTALLATION INSTRUCTIONS FOR BURELÉ DESIGNER LID



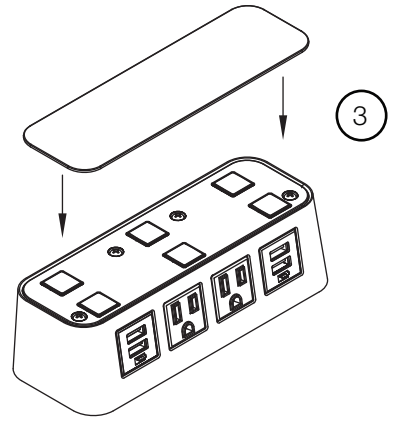
Cut out lid for Burelé unit according to above dimensions to customize with other materials not provided



Snap Clips to Unit as shown



Remove adhesive backing



Align lid to Unit,  
Press firm to attach