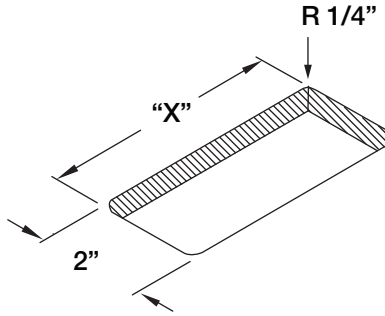
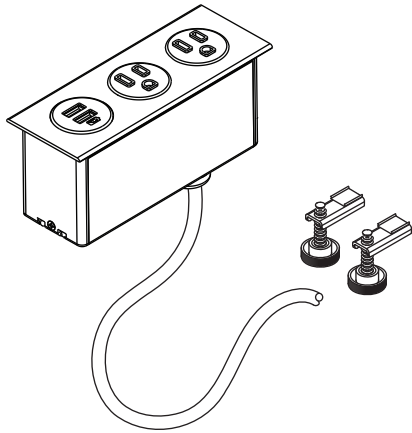
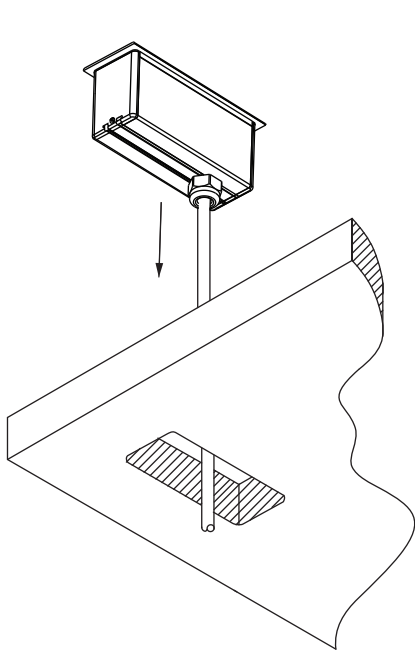


BYRNE

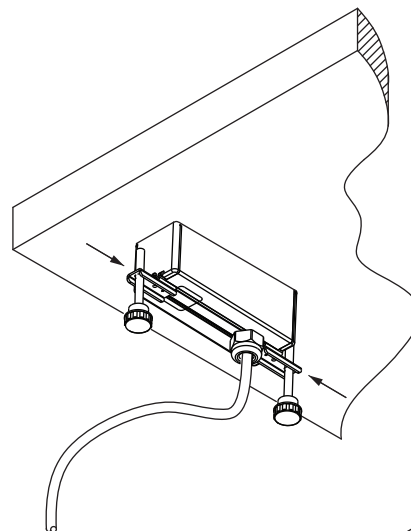
INSTALLATION INSTRUCTIONS FOR DOT® Z



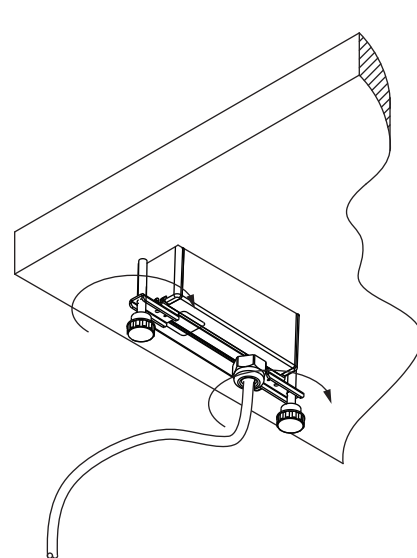
Windows	"X" Dim.
2 Windows	3-7/8"
3 Windows	5-5/8"
4 Windows	7-7/16"
5 Windows	9-1/4"



1



2



3