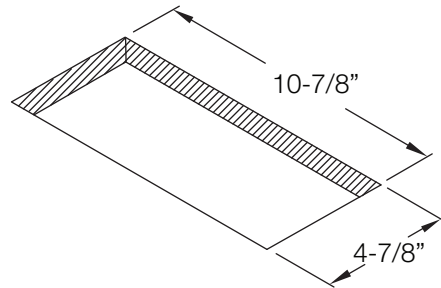
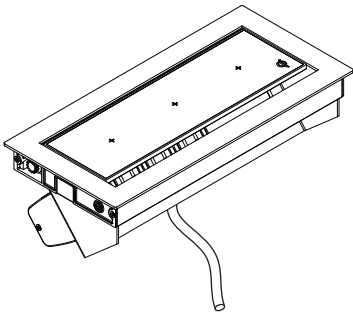


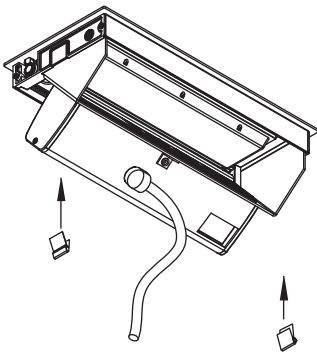
BYRNE

INSTALLATION INSTRUCTIONS FOR ELLORA® Qi

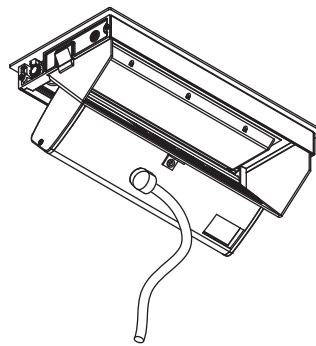
Install data jacks as described in the installation instructions provided with data adapters, BE01421



1



Attach 1 clips, at each end of unit base.



2

