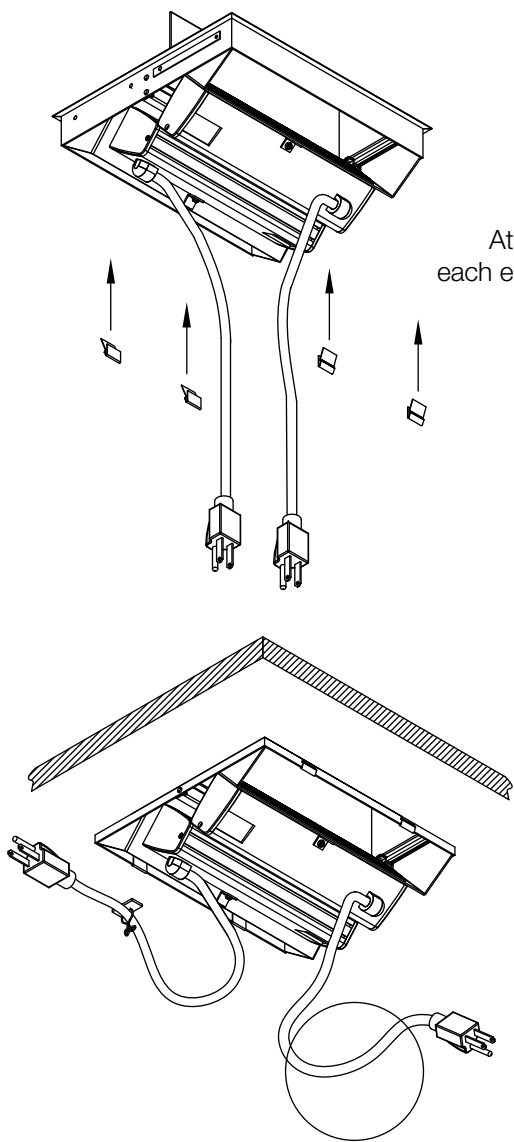
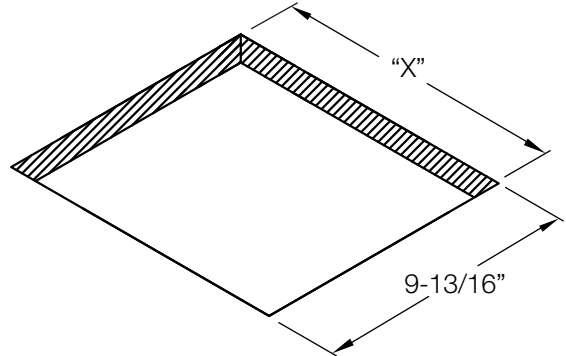


# BYRNE

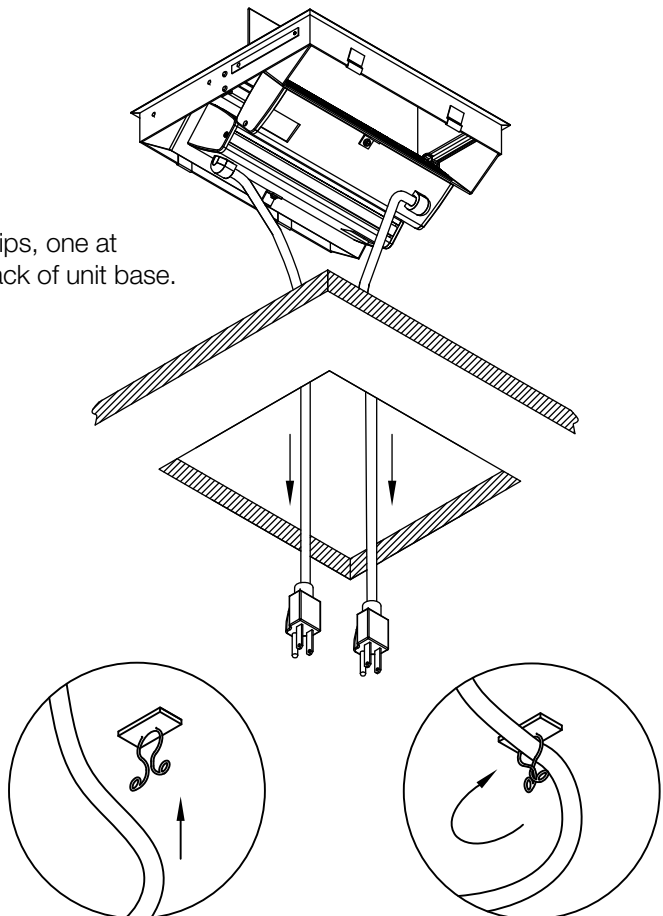
## INSTALLATION INSTRUCTIONS FOR ELLORA - E2X®

Install data jacks as described in the installation instructions provided with data adapters, BE01421

Ellora E2X		"X" Dim.
BE02511-E2X	2 Windows	5"
BE02511-E2X	3 Windows	6-1/2"
BE02511-E2X	4 Windows	8"
BE02511-E2X	5 Windows	9-1/2"
BE02511-E2X	6 Windows	11"
BE02511-E2X	7 Windows	12-1/2"
BE02511-E2X	8 Windows	14"



Attach 2 clips, one at each end on back of unit base.



**Note:** In a conduit application, conduit should be supported according to local code. When managing conduit and cabling exiting the unit, ensure there is adequate slack to allow unit to open properly