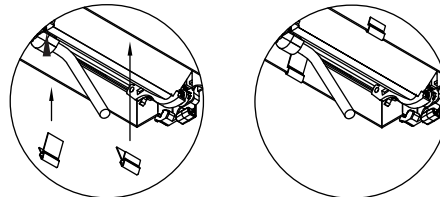
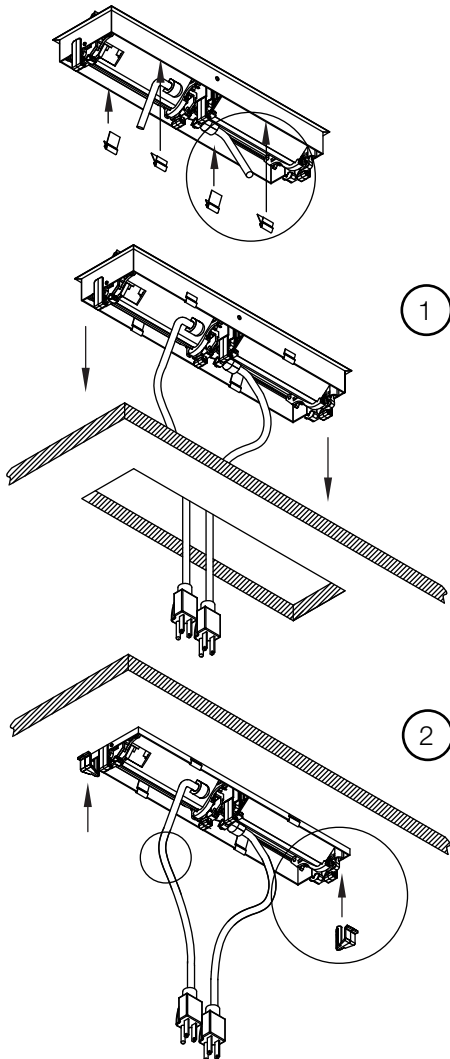
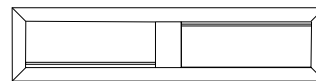
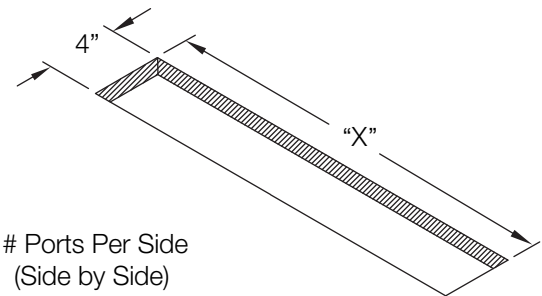


# BYRNE

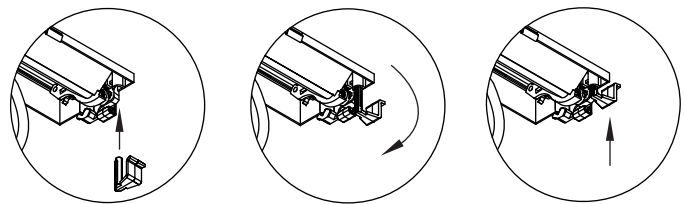
## INSTALLATION INSTRUCTIONS FOR MS2®

Install data jacks as described in the installation instructions provided with data adapters, BE01421

MS2	Windows Per Side (Side by Side)	"X" Dim.
BE01820-MS2A	2 Windows	10-3/16"
BE01820-MS2A	3 Windows	13-3/16"
BE01820-MS2A	4 Windows	16-3/16"
BE01820-MS2A	5 Windows	19-3/16"
BE01820-MS2A	6 Windows	22-3/16"
BE01820-MS2A	7 Windows	25-3/16"
BE01820-MS2A	8 Windows	28-3/16"



Attach 2 clips, one at each end on the side of unit base.



**Note:** In a conduit application, conduit should be supported according to local code. When managing conduit and cabling exiting the unit, ensure there is adequate slack to allow unit to open properly

