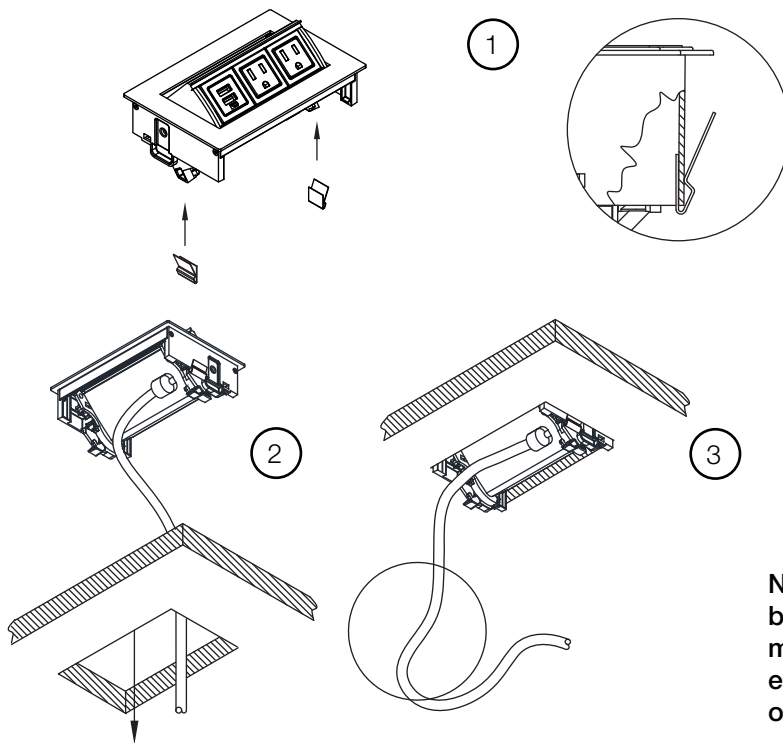
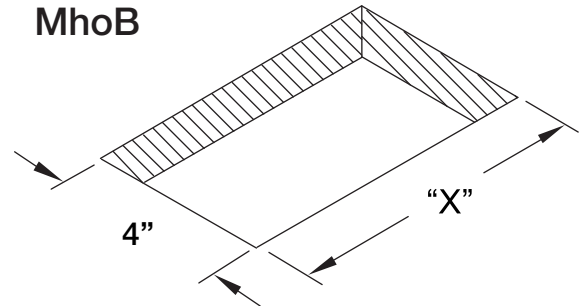


BYRNE™

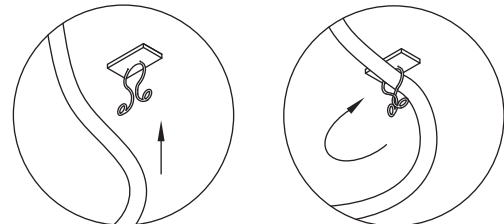
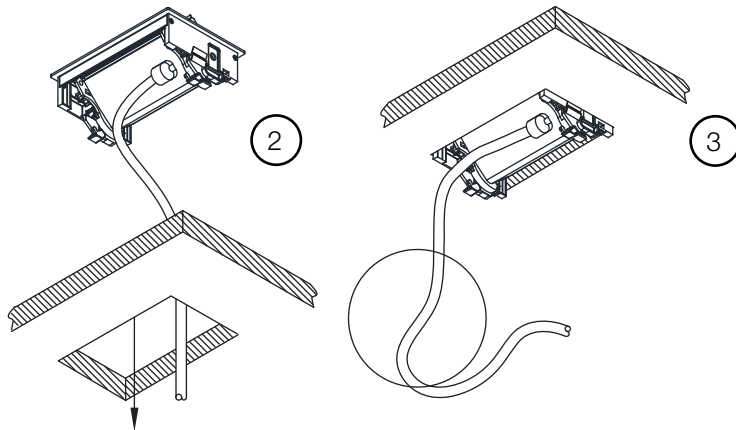
INSTALLATION INSTRUCTIONS FOR MHOB™

Install data jacks as described in the installation instructions provided with data adapters, BE03655

MhoB		"X" Dim.
BE04076	2 Windows	5"
BE04076	3 Windows	6-1/2"
BE04076	4 Windows	8"
BE04076	5 Windows	9-1/2"
BE04076	7 Windows	12-1/2"



Attach 2 clips, one at each end on back of unit base.



Note: In a conduit application, conduit should be supported according to local code. When managing conduit and cabling exiting the unit, ensure there is adequate slack to allow unit to open properly

