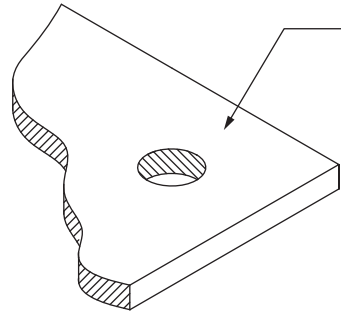
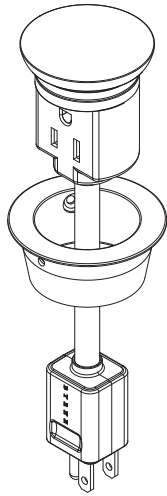


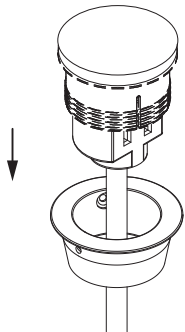
BYRNE™

INSTALLATION INSTRUCTIONS FOR NIGHTCAP



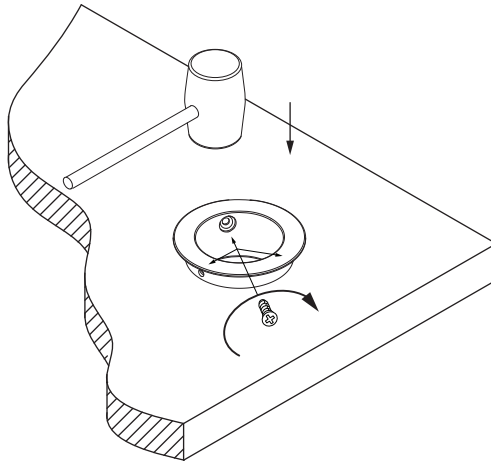
Drill 2" Diameter Hole

1



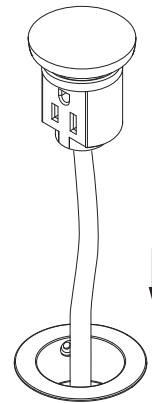
Remove Grommet from unit

2



Using a rubber mallet, gently pound Grommet into the cut out,
use screw to scure grommet

3



Route unit thru
installed Grommet

Note: Table thickness should be at the least 3/4" and a maximum thickness of 2"