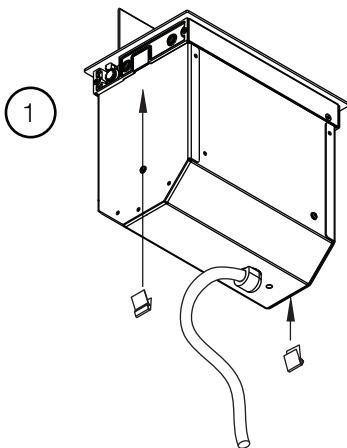
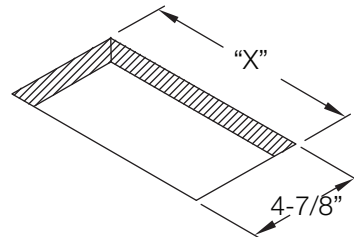


BYRNE

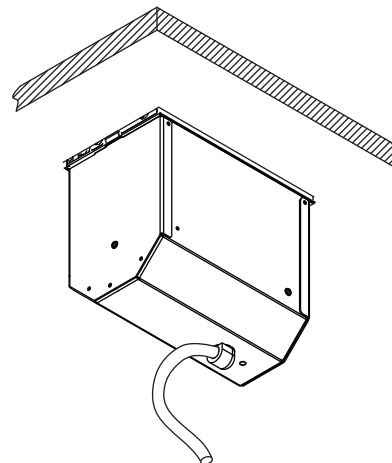
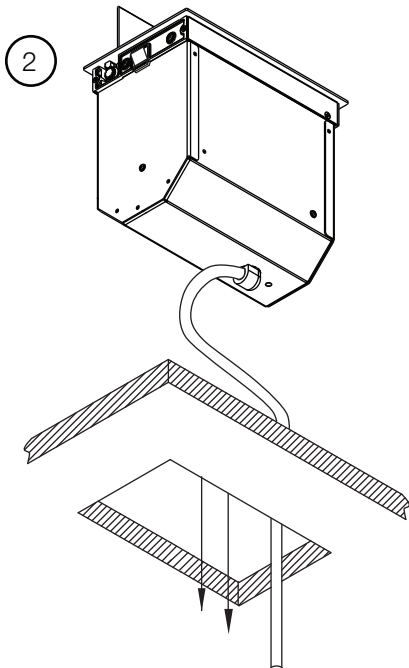
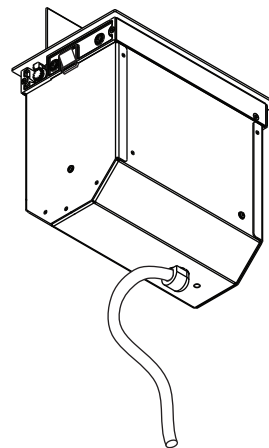
INSTALLATION INSTRUCTIONS FOR ELLORA WELL®

Install data jacks as described in the installation instructions provided with data adapters, BE01421

Ellora B Z		"X" Dim.
BE06031	4 Windows	7-7/8"
BE06031	6 Windows	10-7/8"



Attach 1 clips, at each end of unit base.



Note: In a conduit application, conduit should be supported according to local code. When managing conduit and cabling exiting the unit, ensure there is adequate slack to allow unit to open properly