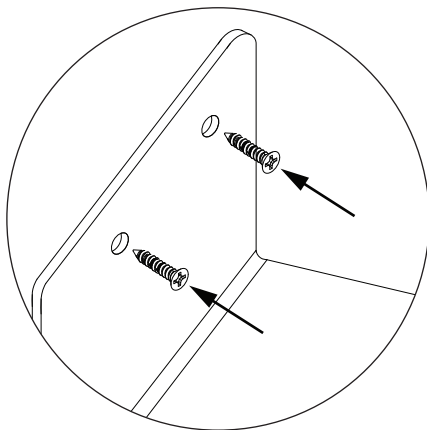
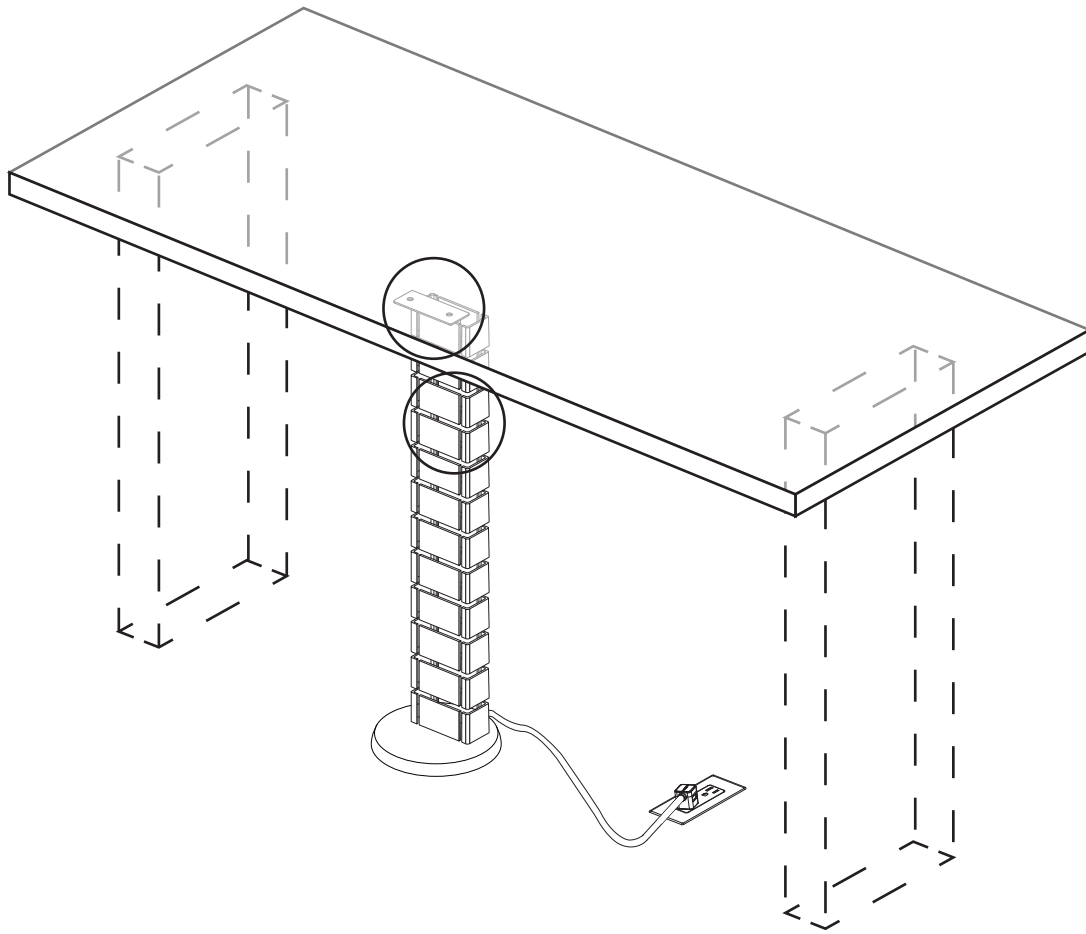
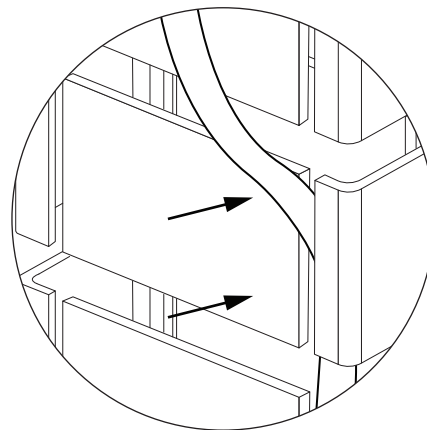


# BYRNE™

## INSTALLATION INSTRUCTIONS HEIGHT ADJUSTABLE VERTEBRAE CORD MANAGEMENT



Attach top bracket to the bottom of the table with the two supplied screws



Press Cords into Vertebrae slots as needed