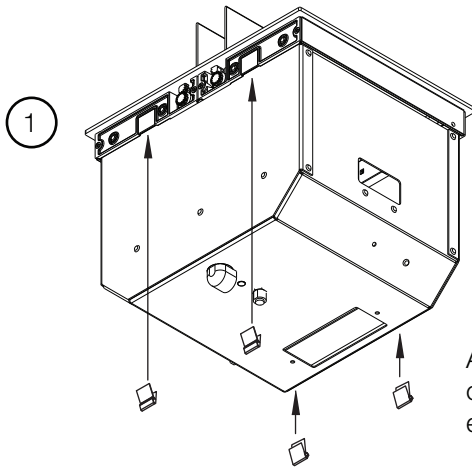
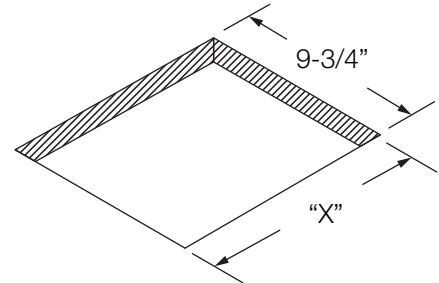


BYRNE

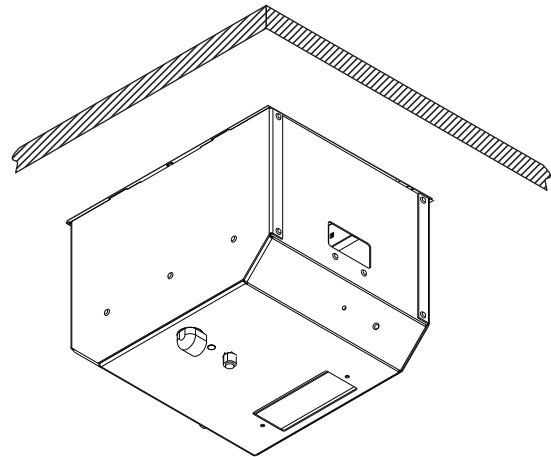
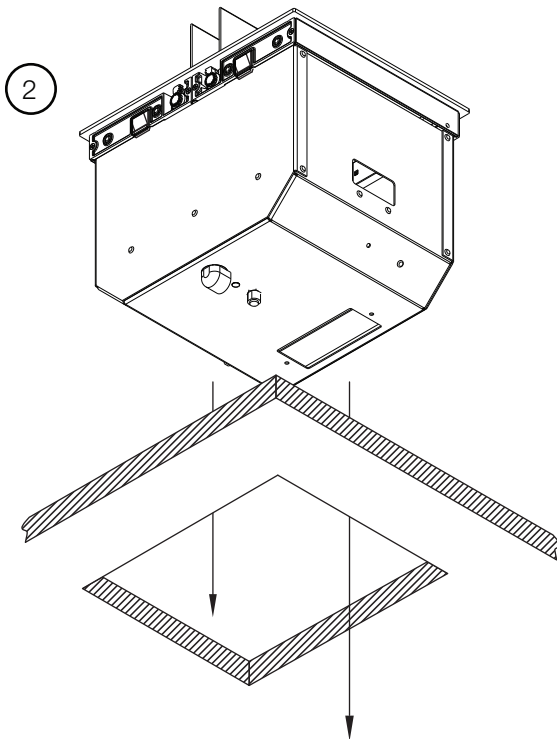
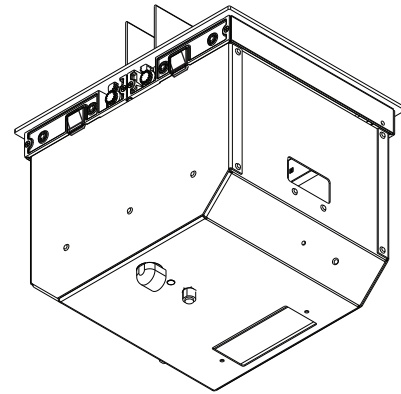
INSTALLATION INSTRUCTIONS FOR DOUBLE ELLORA WELL®

Install data jacks as described in the installation instructions provided with data adapters, BE03655

| Double Ellora Well | | "X" Dim. |
|--------------------|-----------|----------|
| BE06031-2X | 4 Windows | 7-7/8" |
| BE06031-2X | 6 Windows | 10-7/8" |



Attach 2 clips at the connect points along each side of the unit.



Note: In a conduit application, conduit should be supported according to local code.