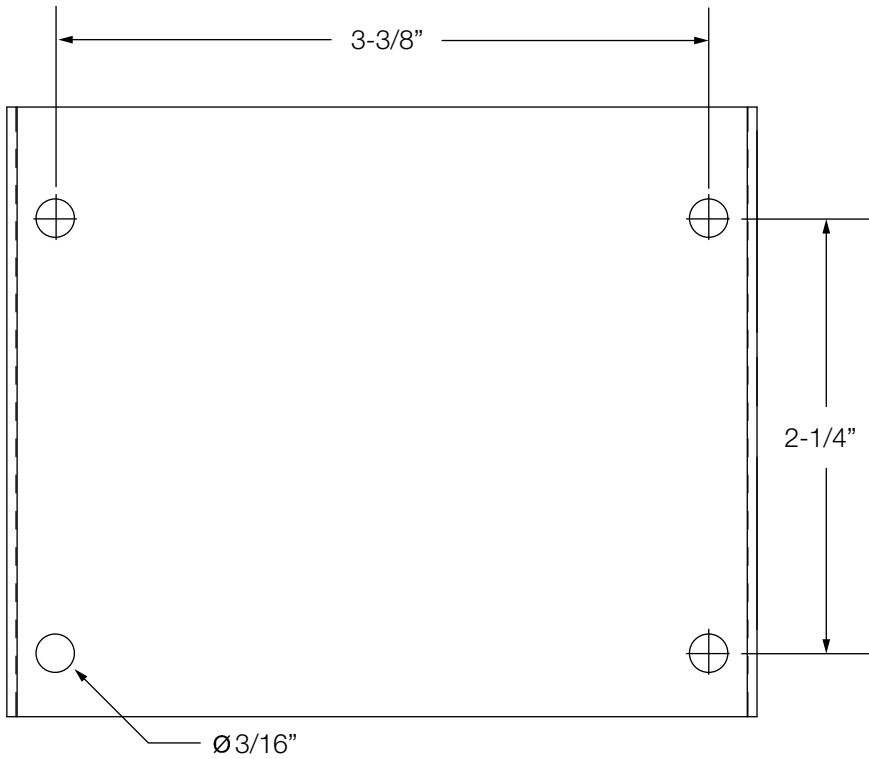


BYRNE™

INSTALLATION INSTRUCTIONS FOR METAL FIXED MOUNT MINI-TAP

Install data jacks as described in the installation instructions provided with data adapters, BE01421



NOTE: Screws not included
Screw Hole - For #8 screw

