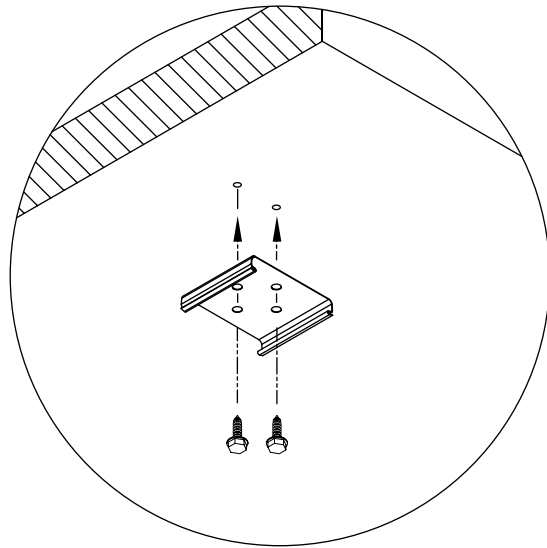
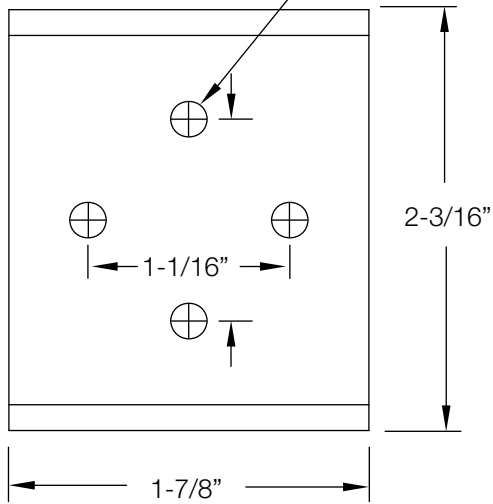


# BYRNE™

## INSTALLATION INSTRUCTIONS FOR SLIDE MOUNT MINI-TAP

Install data jacks as described in the installation instructions provided with data adapters, BE01421

Slide Mount Bracket #10 Screw



**NOTE:** Double check that the measurements match the above bracket before using printed instructions as a template. Scaling issues can occur in certain print settings.

