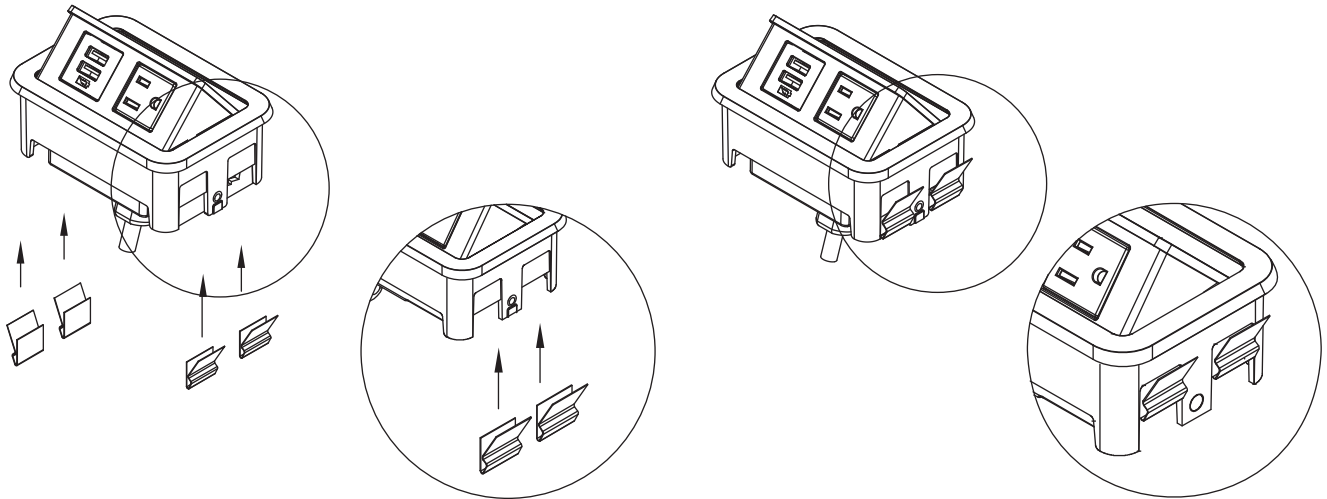


BYRNE

INSTALLATION INSTRUCTIONS FOR A TWO WINDOW NACRE

Attach 4 clips, two at each end on back of unit base.



Determine placement of Nacre. Cut out hole according to below dimensions.

