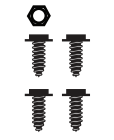


BYRNE™

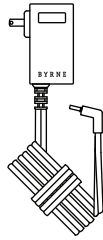
INSTALLATION INSTRUCTIONS FOR KARI



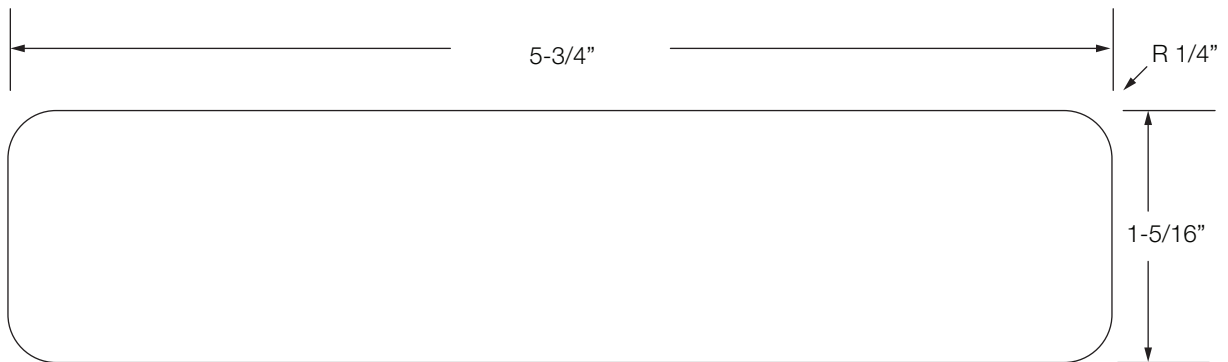
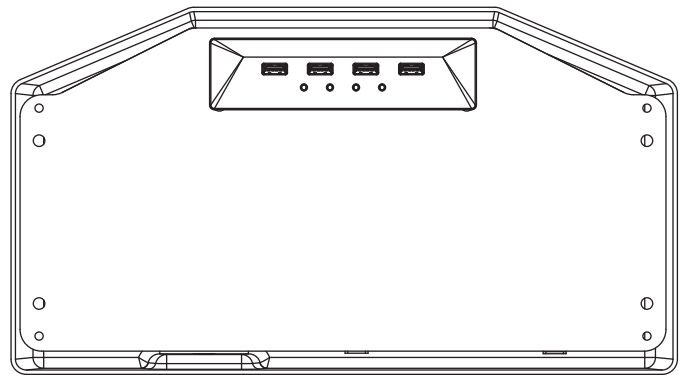
(4) #10
Hex Head
Screw



(2)
Thread
Forming
Screw

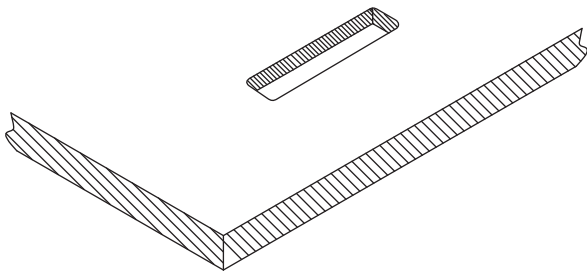


(1) Charging cord
Replacement cord
part number: SA04216-72

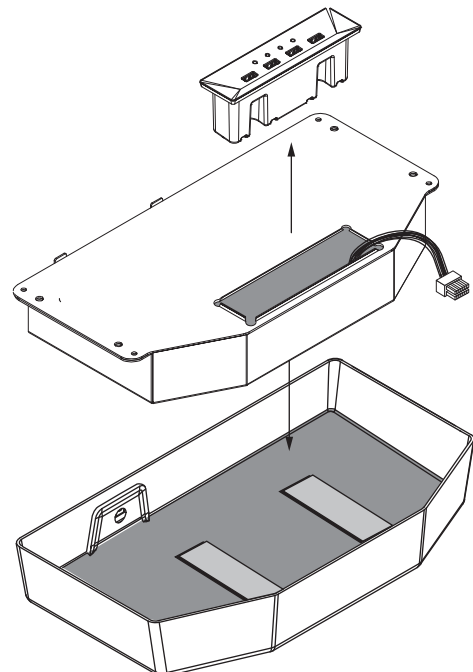


1

Cut Hole to Deminsions Listed Above



2



WARNINGS

Do not disassemble
Do not penetrate unit with foreign objects
Avoid strong impacts
Do not crush
Do not incinerate
Avoid prolonged exposure to heat above 60°C
Do not microwave unit, place in high pressure containers or induction heating devices

Failure to comply may cause electrical and/or fire hazards resulting in serious injury

CLEAN AND CARE

HOW TO STORE

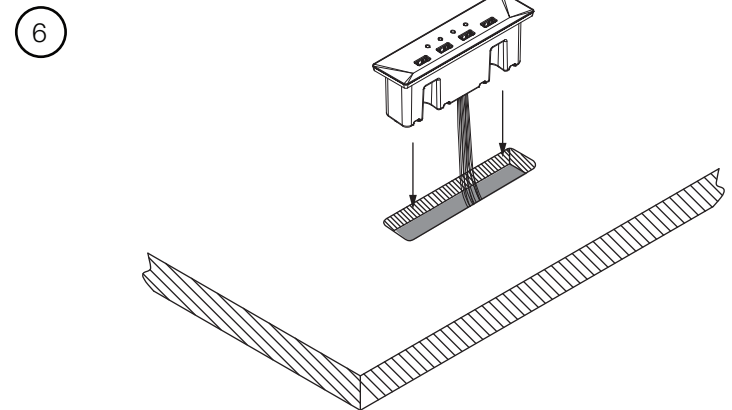
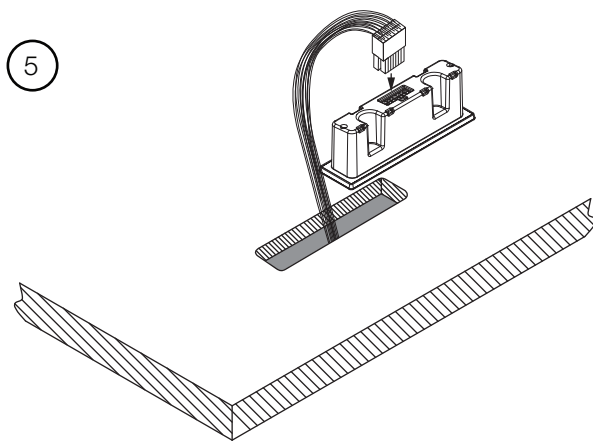
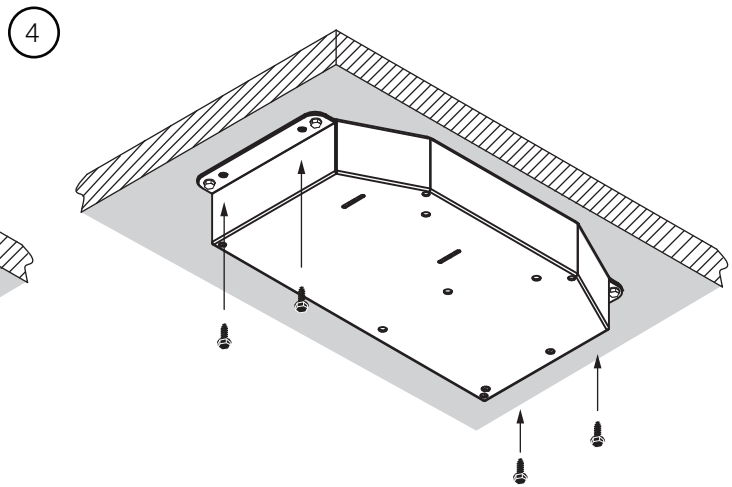
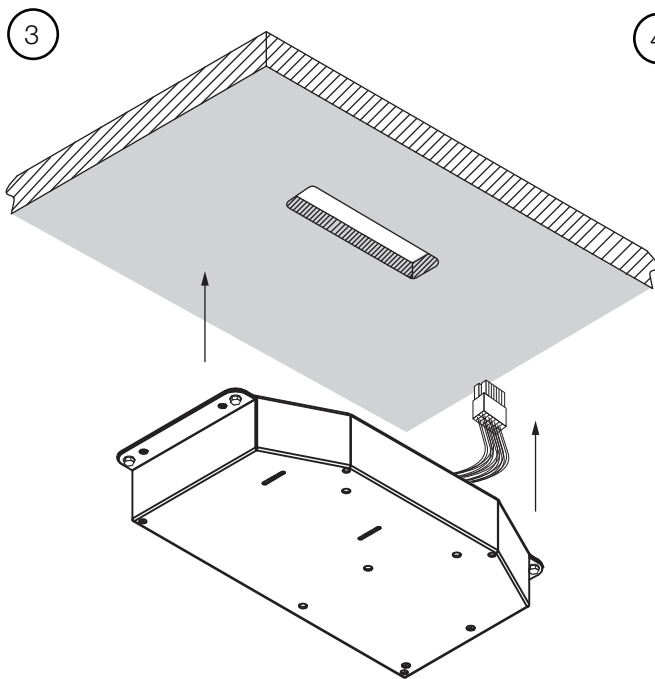
Store in a cool dry place. Ideal storage temperature range -20C to 60C. Additionally, if left unused for long periods of time (2+ months), the unit should be placed on the charger for 2 hours for every 2 months left unused. This helps keep the battery healthy.

CLEANING INSTRUCTIONS

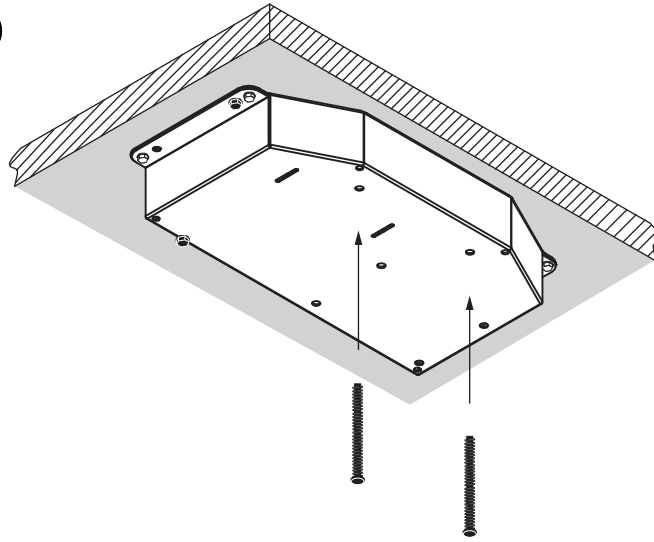
Wipe with damp cloth. If necessary, a mild detergent may be applied to the cloth.

Do not submerge in water.

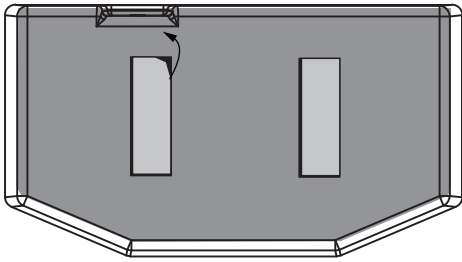
Do not spray unit directly with water or cleaner



7

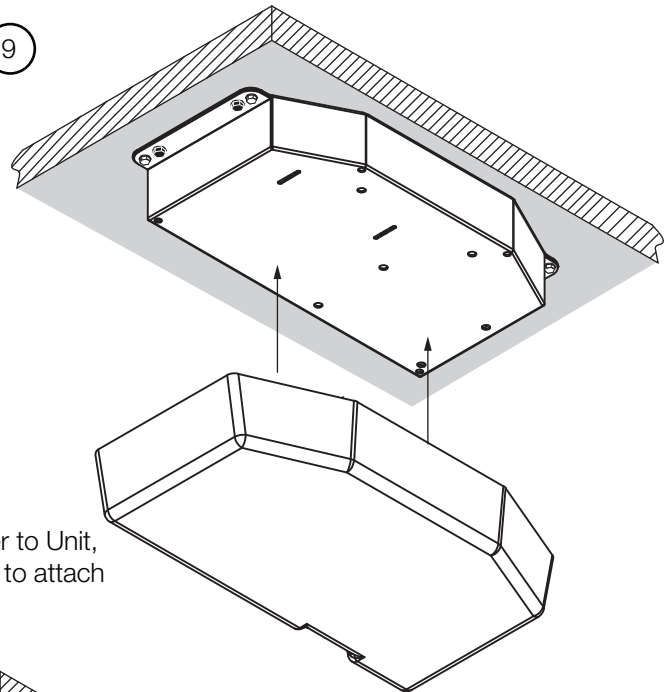


8



Remove adhesive backing

9



Align cover to Unit,
Press firm to attach

10

