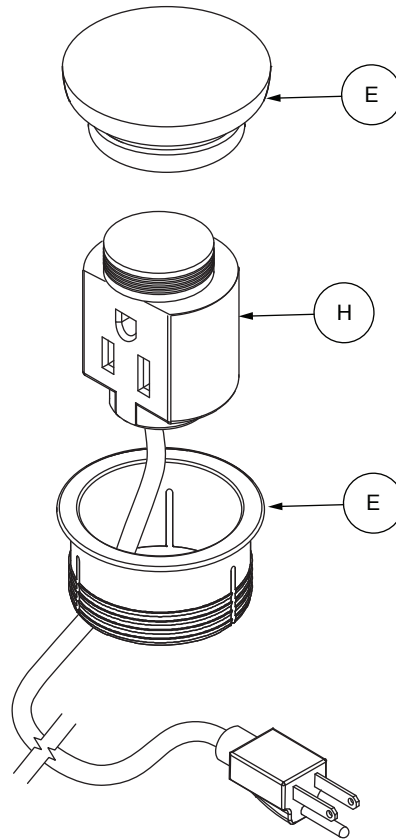


# BYRNE™

## PRODUCT END-OF-LIFE DISASSEMBLY INSTRUCTIONS FOR NIGHTCAP



Material Identification	
	A - Plastic >PC<
	B - Plastic >PVC<
	C - Copper
	D - Steel
	E - Aluminum
	F - Zinc
	G - Misc.
	H - Nylon

Recommended Tools						
Safety Gloves	Safety Glasses	Drill	Cutter	Hammer	Flathead & Phillips Screw Driver	
Dis-Assembly Time Approximately 15 min.						