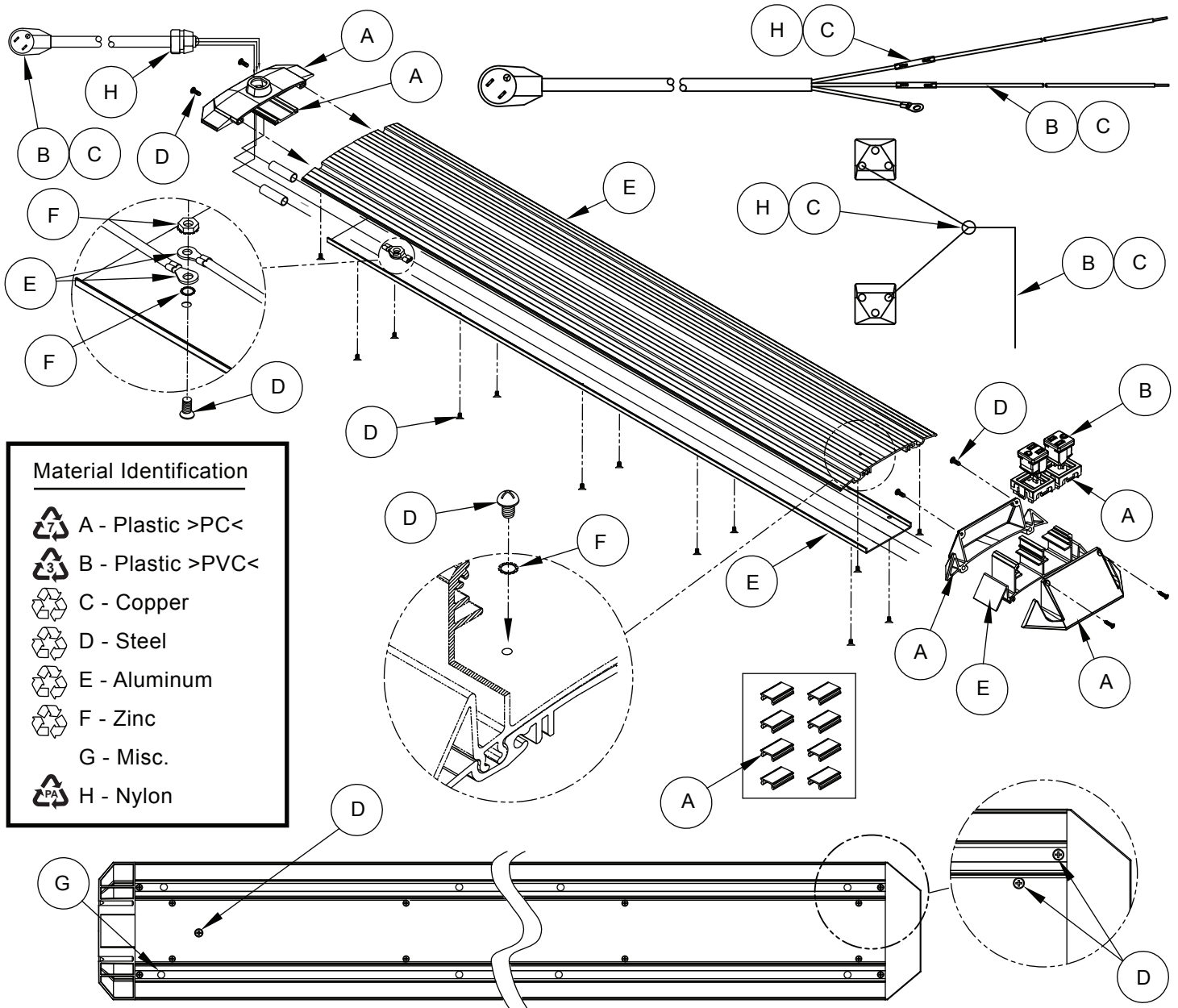


PRODUCT END-OF-LIFE DIS-ASSEMBLY INSTRUCTIONS FOR RIALTO

*These instructions are intended for use by end-of-life recyclers. It provides basic instructions for the disassembly to remove components and materials for recycling purposes, only. **NOTE: The dis-assembly of this product in any way voids any warranty.**



Material Identification

- A - Plastic >PC<
- B - Plastic >PVC<
- C - Copper
- D - Steel
- E - Aluminum
- F - Zinc
- G - Misc.
- H - Nylon

Recommended Tools

Safety Gloves	Safety Glasses	Drill	Wire Cutter	Hammer	Flathead & Phillips Screw Driver

Dis-Assembly Time Approximately 15 min.