

BYRNE®

Kia™

OVERVIEW

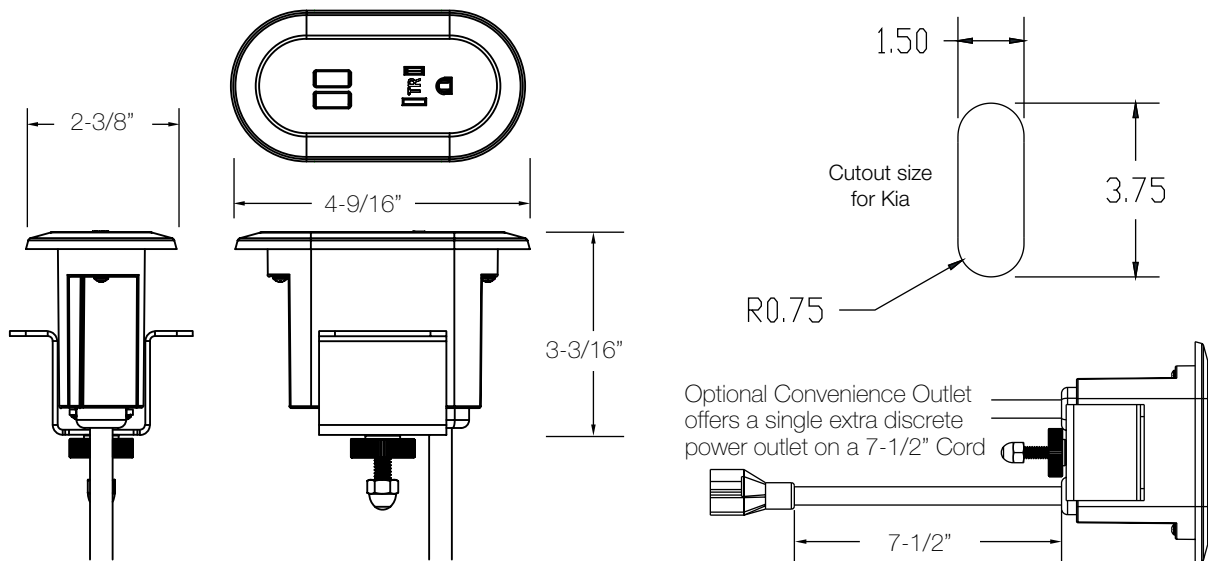
With friendly curves and a clean, modern profile, Kia's modest 2-port design is just the thing to keep people comfortably connected in social spaces. Specifically designed to power soft seating and hard surfaces, it's smooth, stylish simplicity at its best.



* Image depicts a 1 power, 1 dual USB Kia unit in a white finish

SPECIFICATIONS

*image depicts a 1 power / 1 dual USB unit



POWER ENTRY OPTIONS

UL LISTED

Corded

CODES

NEW YORK

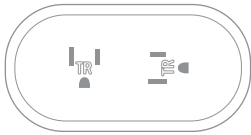
Kia can be used in New York City, per the official NYC Electrical Code.

CHICAGO

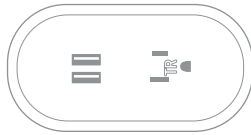
Kia can be used on Listed freestanding furnishings in Chicago. Limitations apply.

CONFIGURATIONS

Kia is available in the configurations shown below.



2 Power



1 Power, 1 Dual USB

MOUNTING OPTIONS

A

Surface thickness
1" - 1.75"



B

Surface thickness
.5" - 1.125"



Tamper Resistant

Tamper Resistant is labeled with TR in the center of each outlet on the faceplate.

FINISHES



Black
Molded Plastic



Storm
Molded Plastic



White
Molded Plastic