

BYRNE

Byrne HQ™ & Byrne HQ2™

blended.byrne.com



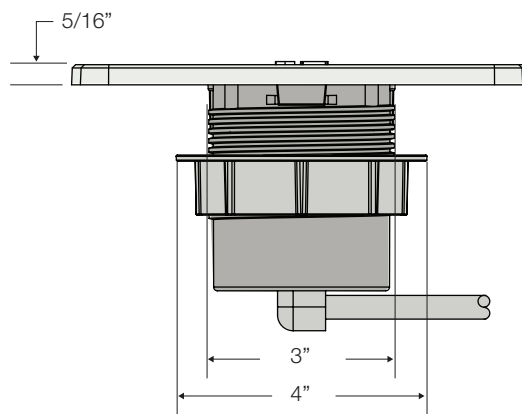
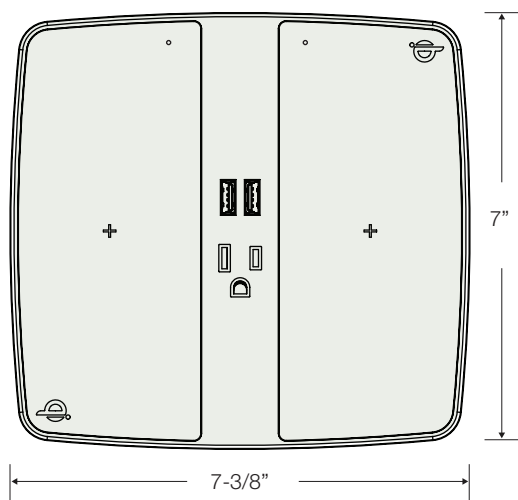
* image shown: double pad configuration (HQ2) in Storm plastic with Fog soft touch inserts

OVERVIEW

Available with a Single Wireless Charging Pad, or Double Wireless Charging Pads - compatible with all Qi-enabled smartphones and devices.

SPECIFICATIONS

* Image depicts the Byrne HQ2



HQ & HQ2

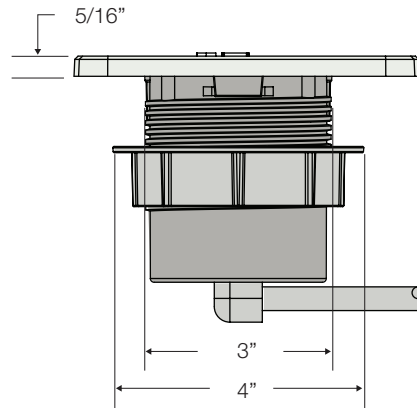
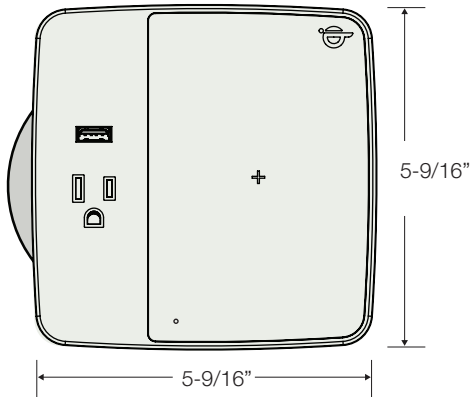
Surface Cut Out

Drill 3" Diameter Hole

Min - Max Surface Depth

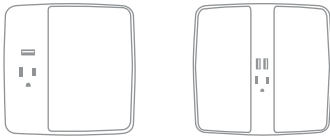
3/4" - 1-1/2"

* Image depicts the HQ



CONFIGURATIONS

Both configurations come with one (15 Amp) power simplex. The double charging pad (HQ2) comes with two (2.1 Amp) USB ports, while the single (HQ) comes with one (2.1 Amp) charging USB port. Each Wireless Charging Pad has one (5 Watt) Charging Coil.



POWER INFEED

UL LISTED

Corded
Hardwired

ETL LISTED

Sequence
Interlink IQ 2.0

CODES

NEW YORK

The corded HQ or HQ2 can be used in New York City, as per the NYC Electrical Code.

CHICAGO

The corded HQ or HQ2 can be used on Listed freestanding furnishings in Chicago. Limitations apply.

FINISHES

GLOSS PLASTIC



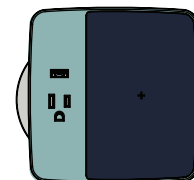
Black White Storm Fog

TEXTURED PLASTIC INSERTS



Black White Storm Fog

Colors below represent different material areas



 Gloss Plastic

 Textured Plastic