

BYRNE

Surface Mount MiniTap

with a plastic housing

OVERVIEW

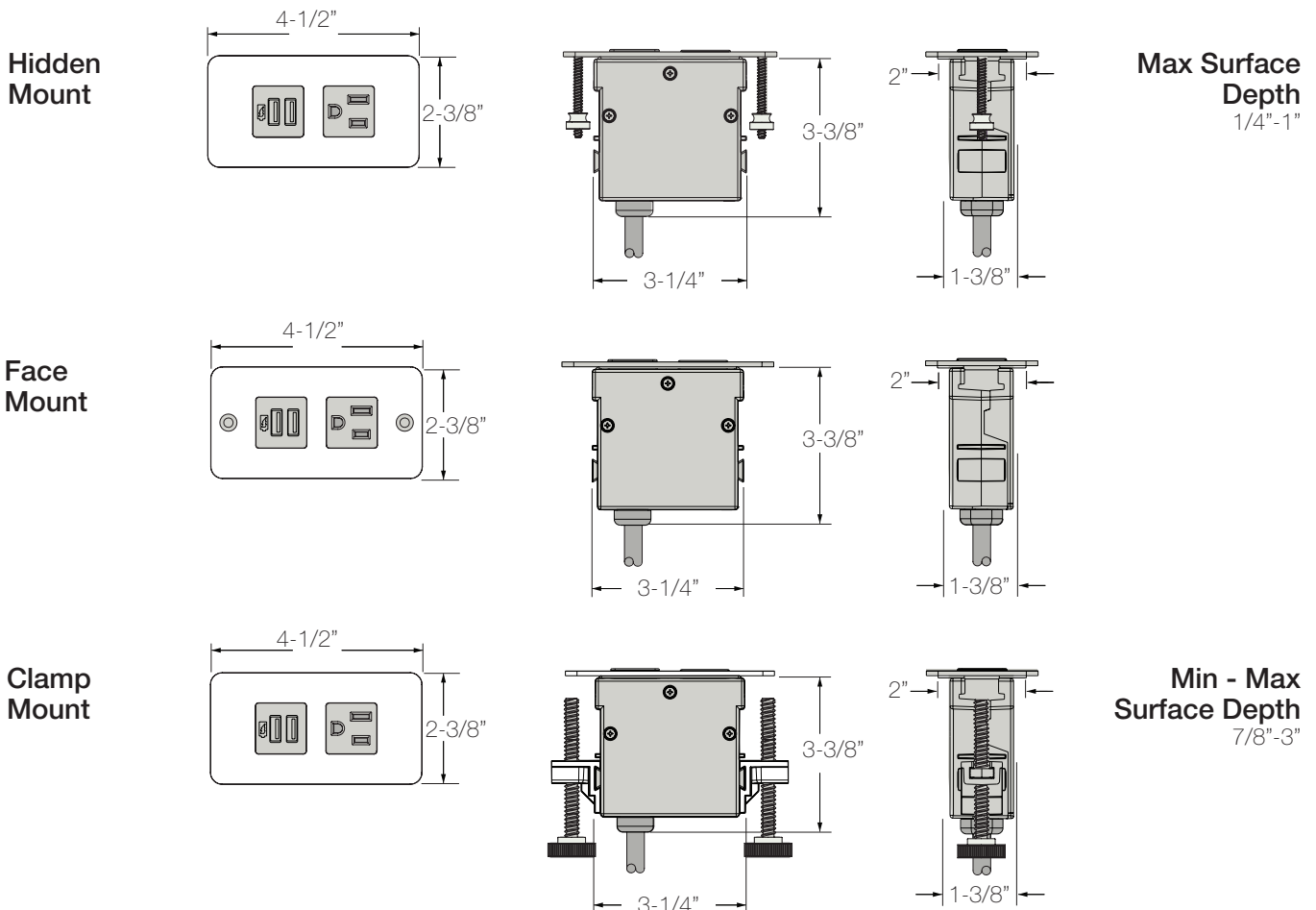
The Plastic MiniTap's Face Mount, Hidden Mount and Clamp Mount options make it a natural in upholstered furniture applications, and its metallic and gloss finishes complement any environment. The flexible port design also allows for multiple power and data configurations.



* Image shown: 2 Power configuration with White Simplexes and Silver Powdercoat faceplate, Hidden Mount.

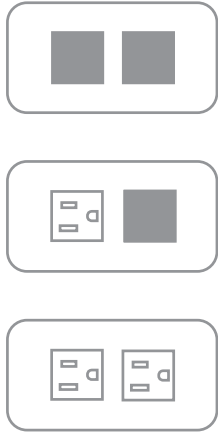
SPECIFICATIONS

* Images depicts a 1 power and 1 USB with each mounting styles available.



CONFIGURATIONS AVAILABLE

Plastic MiniTap offers 2 windows as shown below. The windows can be replaced by a variety of technology options.



POWER INFEED OPTIONS

UL LISTED

Corded
Hardwired

UL Recognized

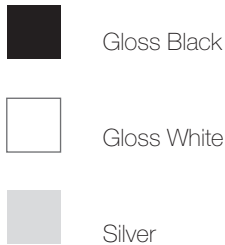
Interlink
Interlink IQ

ETL Listed

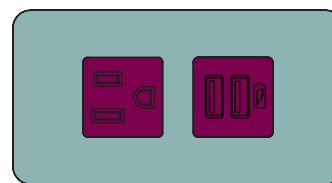
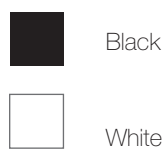
Interlink
Interlink IQ

FINISHES

Powdercoat Face Plate



Plastic Simplex



INTEGRATED TECHNOLOGIES

*Powered technology options requires a power simplex within the configuration.



NON-POWERED

Cat5E, Cat6, Cat6A, VGA, HDMI
Mini DisplayPort, Stereo Jack,
Passive USB-A, and Passive USB-C

NOTE: Factory install only for Mini DisplayPort

*POWERED

Quad C, Dual C+A,
USB A+C,
and Dual USB

POWER SIMPLEX

Tamper Resistant &
Hospital Grade Available

CODES

NEW YORK

The Corded Surface Mount MiniTap can be used in the City of New York, per the official New York Code Decision.

CHICAGO

The Corded Surface Mount Minitap can be used on Listed freestanding furnishings in Chicago. Limitations apply.