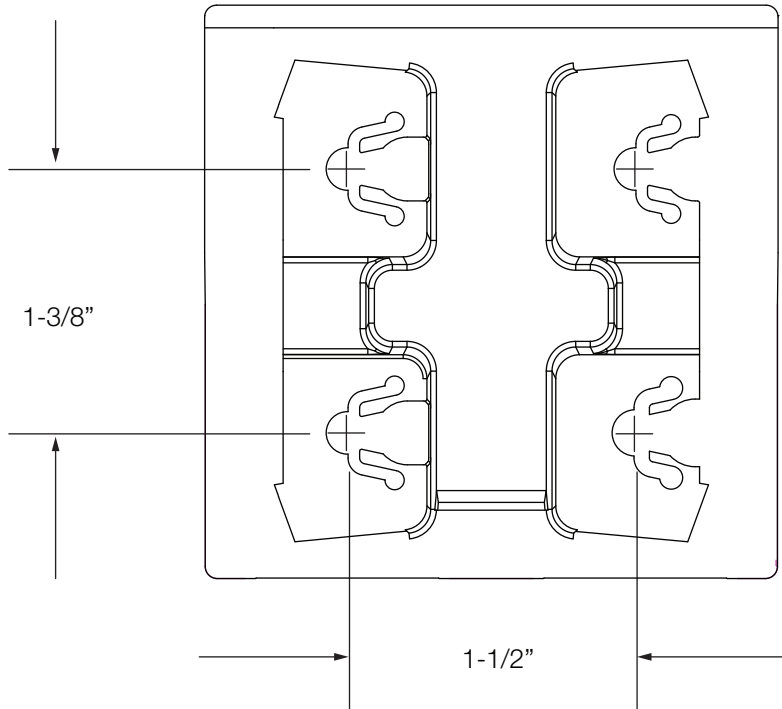


BYRNE

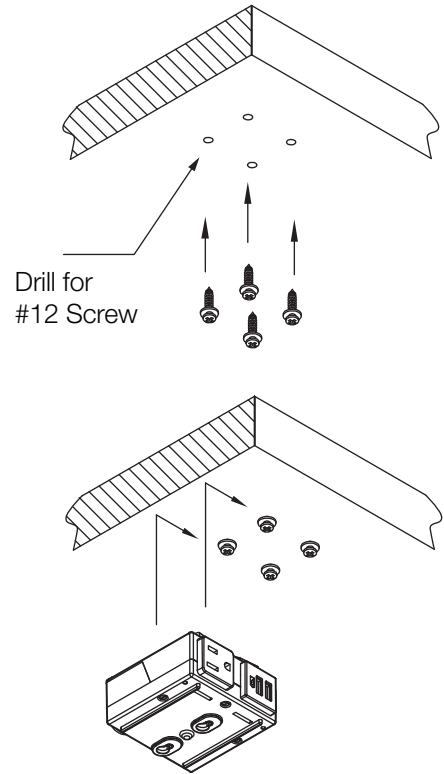
INSTALLATION INSTRUCTIONS FOR PLASTIC MINI-TAP

Install data jacks as described in the installation instructions provided with data adapters, BE01421

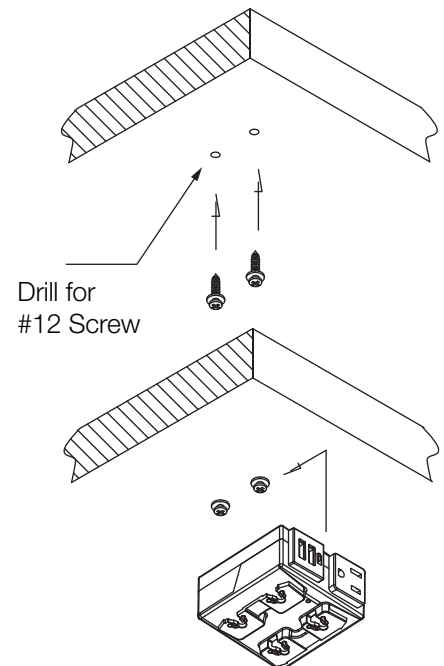
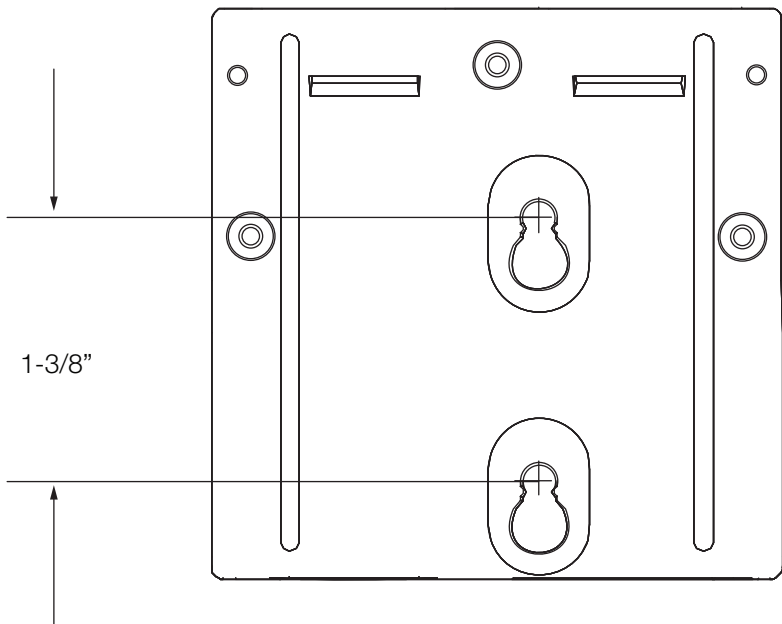
Keyslot Mount 1



NOTE: Screws not included

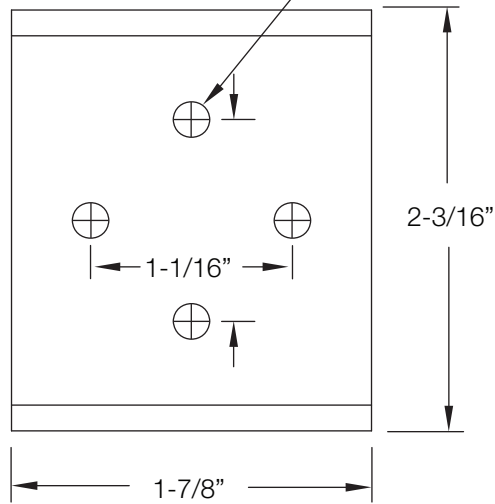


Keyslot Mount 2

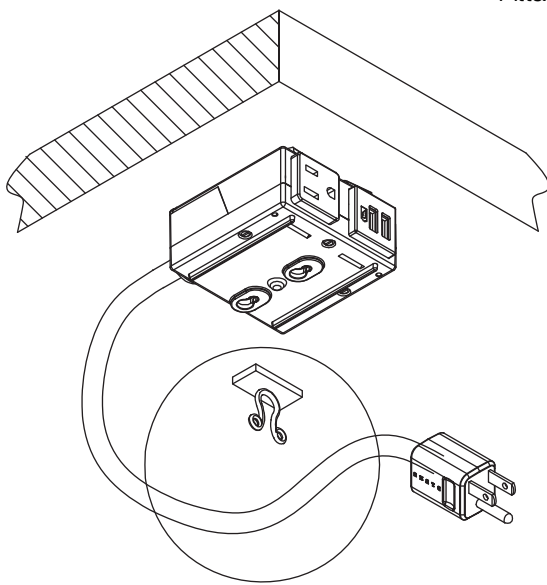
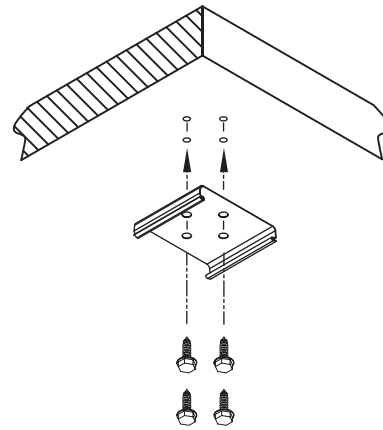
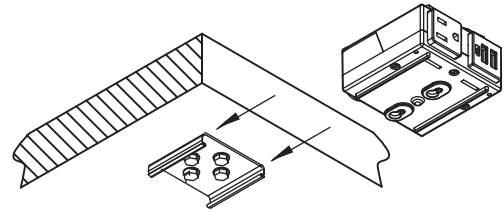


Slide Mount Bracket

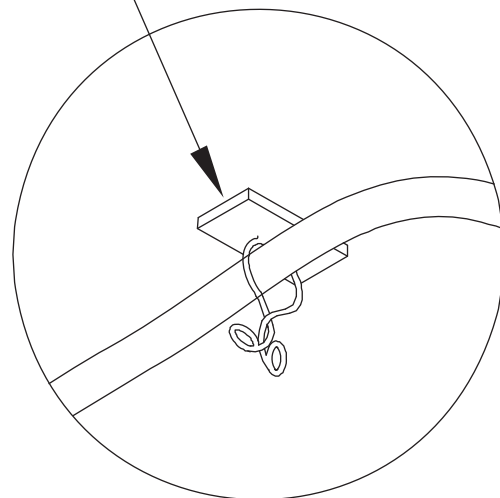
#10 Screw



NOTE: Screws not included



Attach to cord



For Corded Option Only