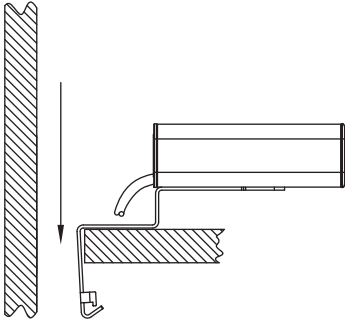
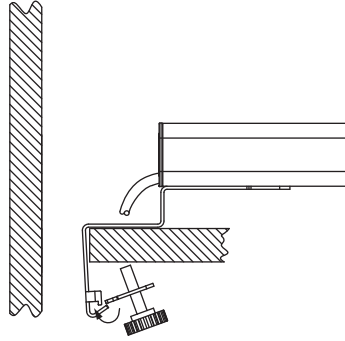


# BYRNE™

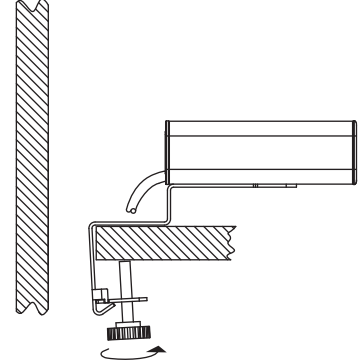
## INSTALLATION INSTRUCTIONS FOR SLIDE MOUNT AND EDGE MOUNT FINCH



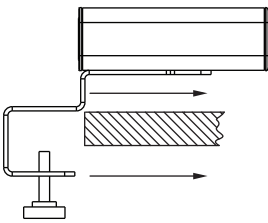
Insert straight down between the backing and table surface



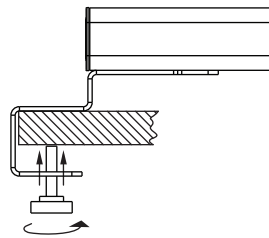
Rock the smaller Thumb Screw piece into the slot on the slide mount



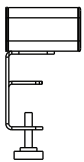
Turn Thumb Screw until unit is tightly mounted to the surface



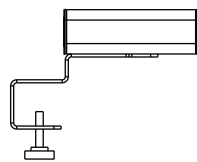
Slide Edge Mount Unit onto table surface as shown



Turn Thumb Screw until unit is tightly mounted to the surface



3 Port Edge Mount



5 Port Edge Mount