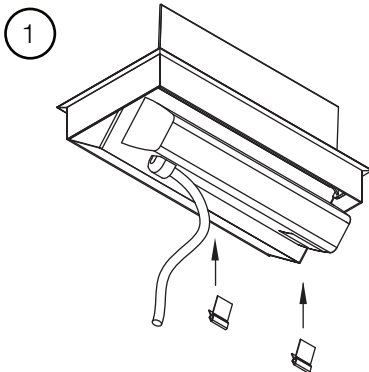
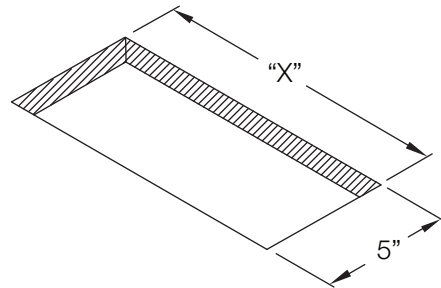


# BYRNE

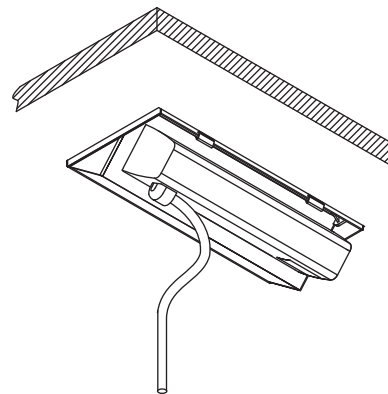
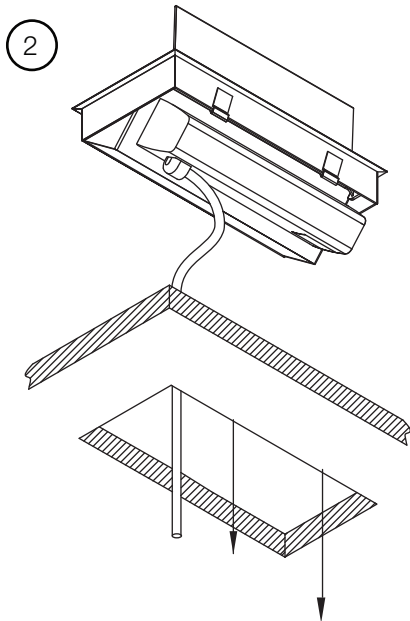
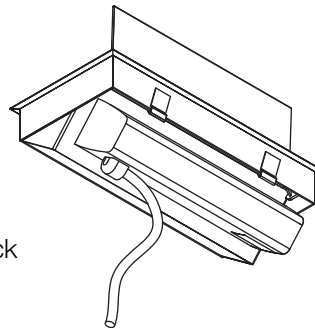
## INSTALLATION INSTRUCTIONS FOR ELLORA® HARDWARE

For use in a normally dry work surface such as an office, desk, table, or work area directly adjacent to a lavatory or other water source. Install data jacks as described in the installation instructions provided with data adapters, BE03655

Ellora		"X" Dim.
BE02511	2 Windows	5"
BE02511	3 Windows	6-1/2"
BE02511	4 Windows	8"
BE02511	5 Windows	9-1/2"
BE02511	6 Windows	11"
BE02511	7 Windows	12-1/2"
BE02511	8 Windows	14"



Attach 2 clips, at back of unit base.



**Note:** In a conduit application, conduit should be supported according to local code. When managing conduit and cabling exiting the unit, ensure there is adequate slack to allow unit to open properly