

# BYRNE

## PDC

Edge Mount



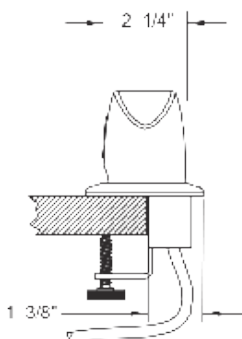
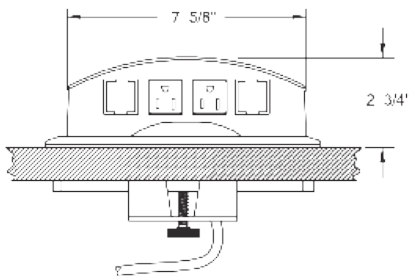
\* PDC Edge mount 4 ports

### OVERVIEW

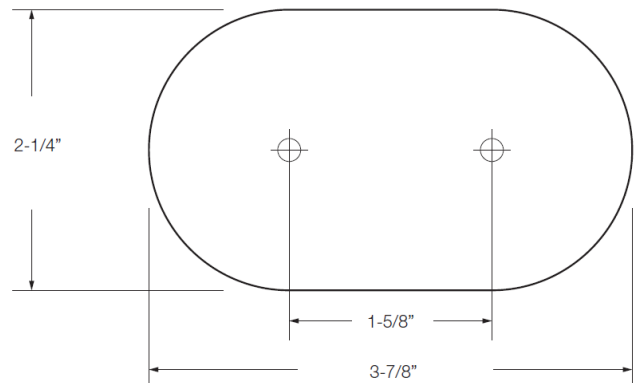
PDC is the most accessible alternative to electrify any work surface. Ready to be mounted to the edge, it has 4 windows; 2 power and 2 open to a wide selection of integrated technologies.

### SPECIFICATIONS

\* The image represents a PDC 4 ports



### CUT OUT DIMENSIONS



### SURFACE WIDTH

MIN - MAX  
1 1/4" - 1 3/4"

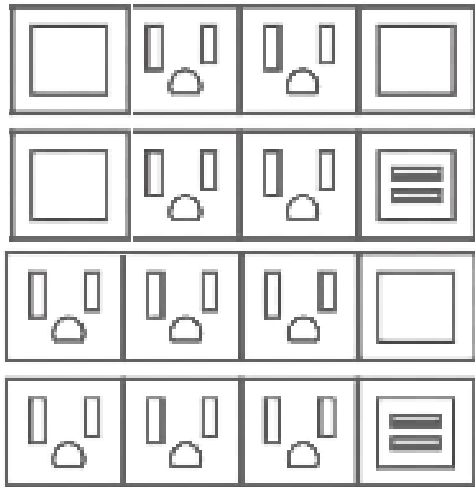
### POWER ENTRY OPTIONS

72" to 120" cord with a 3 pin plug.

## CONFIGURATIONS

---

Below is a graphic representation of the power and data configurations available for this unit.



## CERTIFICATIONS

---

**UL**

**NOM**

## INTEGRATED TECHNOLOGIES

---

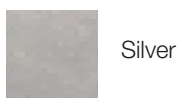
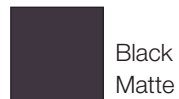
\*This technologies can be installed in the open windows



## FINISHES

---

### Grommet



### Receptacles

