

# BYRNE

## Moiré®

Hole Mount

### OVERVIEW

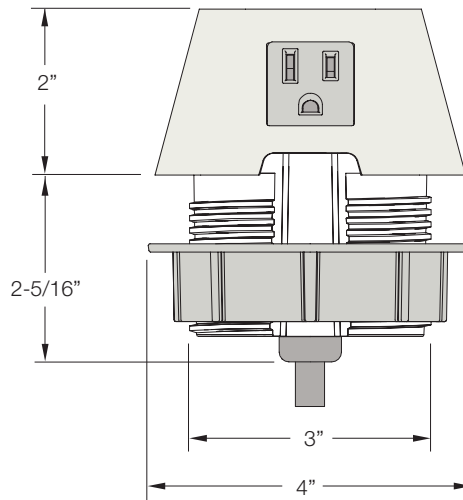
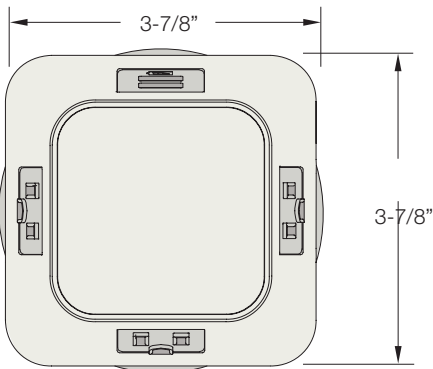
With its removable, customizable top, the creative possibilities for texture or pattern are endless. Moiré also features a sophisticated, high-gloss plastic finish. A range of power, data and USB configurations are available as well - including a 2 port USB that's ideal for charging tablets and other USB-friendly electronics.



\* Image shown: one side of a configuration 2 Power with Gloss Black plastic body

### SPECIFICATIONS

\* Images depict a 3 power, 1 Dual USB unit.



3" HOLE MOUNT

MIN - MAX SURFACE MATERIAL

.25" up to 1.5"

### POWER ENTRY OPTIONS

#### UL LISTED

- Corded
- Hardwired
- 4-Trac Interconnect
- 8-Trac Interconnect

#### UL RECOGNIZED

- Interlink IQ 2.0
- Interlink

#### ETL LISTED

- Interlink IQ 2.0
- Interlink

### CODES

#### NEW YORK

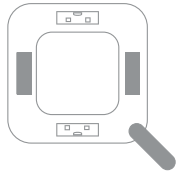
The Corded Moiré can be used in the New York City, as per the New York City Electrical Code.

#### CHICAGO

The Corded Moiré can be used on Listed freestanding furnishings in Chicago. Limitations apply.

## CONFIGURATIONS

Power and technology options can be added to the blank spaces shown below in this 4 window unit.



## INTEGRATED TECHNOLOGIES



### NON-POWERED

Cat6, Cat6A, Mini DisplayPort, HDMI, and Stereo Jack

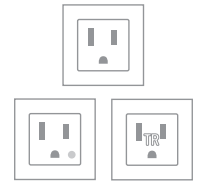
NOTE: Factory install only for Mini DisplayPort



### POWERED

USB A+C, Quad C, Dual C+A

NOTE: Powered Technologies do not transfer data



### POWER SIMPLEX

Tamper Resistant & Hospital Grade Available

## FINISHES

The simplex and insert lid will default to the body finish chosen, but can be customized with accent colors, and personalized lids.

### MOLDED PLASTIC



Gloss Black



Gloss White



Gloss Fog



Gloss Storm

## CUSTOMIZE THE LID

With the removable lid, there's plenty of room for customization too. Feel free to personalize your Moiré with color, branding, textures, and even alternative materials. If you have an idea for a lid design, just let us know!



Email a jpeg, PNG, PDF, Ai, or EPS file to Customer Relations. Our design team will return a digital proof of the lid the same day.

Note: The lid design must be approved by our internal team, as well as by the customer, prior to submitting any product order.