

BYRNE

Pepper®

Power

OVERVIEW

Pepper is Byrne's most compact accessory, requiring a mere 1-3/4" cutout for installation. Pepper features a round or square design, spill-proof power simplex, and is available in multiple molded plastic and stylish metal-plated finishes.



POWER ENTRY OPTIONS

UL LISTED

- Corded
- Hardwired
- 4-Trac Interconnect
- 8-Trac Interconnect

CHICAGO

The Hardwired Pepper can only be used in the City of Chicago.

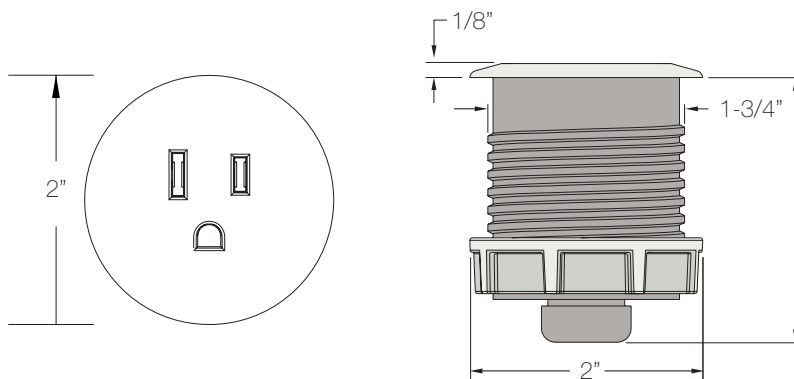
UL RECOGNIZED & ETL LISTED

- Interlink IQ 2.0
- Interlink
- Corded for Outdoor Use

NEW YORK

The Corded Pepper can be used in New York City, as per the NYC Electrical Code

SPECIFICATIONS



Surface Cut Out

Drill 1 - 3/4" Diameter Hole

Max - Min Surface Depth

5/16" to 1- 7/16"

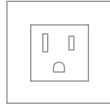
CONFIGURATIONS AVAILABLE



Smooth Round



Round






Square

FINISHES

Molded Plastic

- | | | |
|---|---|--|
|  White |  Poppy |  Dune |
|  Fog |  Berry |  Rosemary |
|  Storm |  Peacock |  Moss |
|  Black |  Dusk |  Clay |
| |  Honey |  Pinecone |
| |  Navy | |

Metal

- | |
|--|
|  Dark Bronze |
|  Trivalent Chrome |
|  Nickel |

**Metal finishes not Available for Smooth Pepper*