

BYRNE

Vesta

Battery Powered

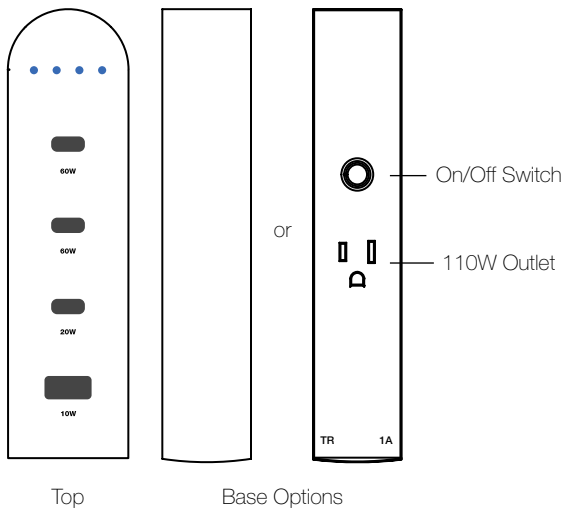
**Now available with optional 110W outlet!*

OVERVIEW

The Byrne Vesta Battery that you have grown to love just got even better. Available now, the new Vesta Battery boasts a super-powerful battery with 4X the capacity of the original. And yes – that means charging laptops! Vesta includes (2) 60W USB-C, (1) 20W USB-C and (1) 10W USB-A ports with an optional 110W outlet on the base capable of delivering our strongest battery power out there. With Vesta, you can get together, plug in, and get to work – wherever you work.

CONFIGURATION

3 ports for USB-C and 1 USB-A. Located at the front of the unit is a barrel connection to recharge the battery. There are LED lights at the top of the unit to indicate the charge level of the battery. The Vesta optional upgraded base includes an on/off button. This allows the unit to save battery life. The button will light up blue when on and automatically turns off after 5 minutes without use. The Vesta has a built in intelligence to prevent an overload condition—this will turn the button red.



* image shown: Mulberry Vesta with Dune Inserts

BATTERY SPECIFICATIONS

432 Watt hours capacity

A fully charged 432Wh battery is capable of charging 7-8 laptops from 20% to 80%. The time to charge a typical office laptop (60W) is about 1-2 hours.

Vesta can charge (from 0-100%) about 36-42 average sized smart phones, 24-30 larger smart phones/small tablets, or about 12 larger tablets. The time to charge a typical smartphone (20W) is about 1-2 hours.

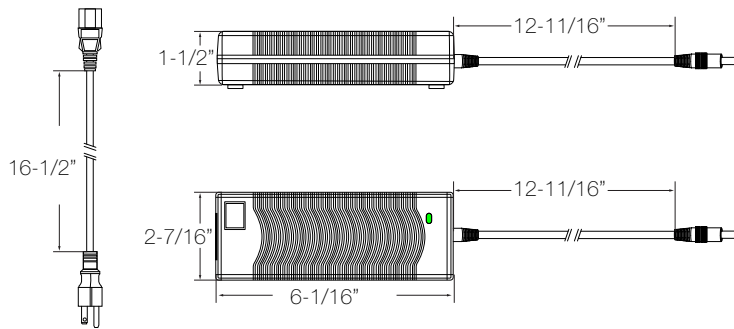
Please note: these figures are only estimates and have not been tested by a third party.

NOTE:

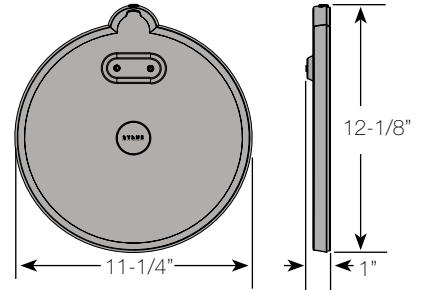
The Vesta battery is classified as UN 3480 Lithium ion battery – Class 9. Per the U.S. Department of Transportation and International Air Transportation Authority, if you plan to re-ship your Vesta battery unit you will need appropriate 49 CFR 172.704 training and paperwork for a Class 9 Fully Regulated shipment.

CHARGING OPTIONS

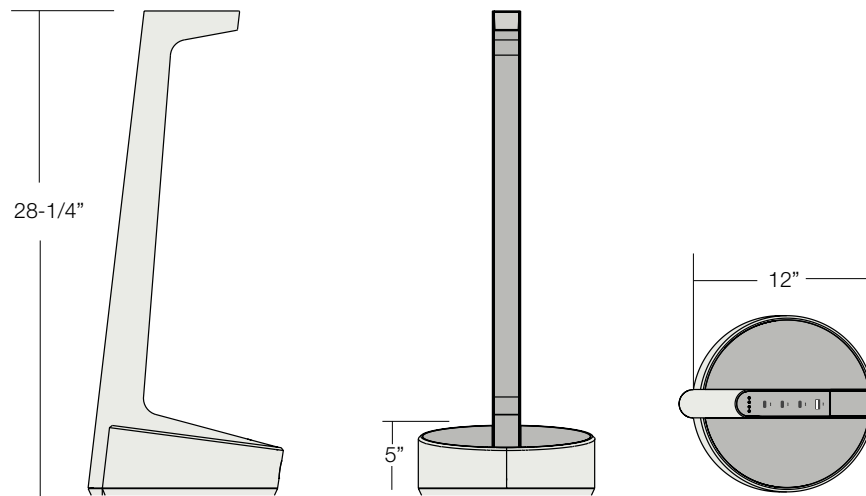
96W Wall Charger with Barrel connector - Included - capable of charging depleted Battery in Approx 6-8 Hours. Replacement part number: BE07897



Charging Base (Sold Separately): distributes power from 96W Wall Charger (included). Charging Base part number: BE06094-(Finish Code)-(Cord Length)



SPECIFICATIONS



Weight of Unit

13 lb

* Built with intentional weight distribution for optimal stability.



UL Listed

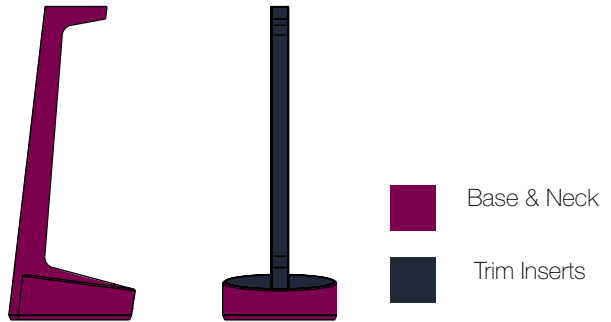
Portable Power Pack

FINISHES

Vesta comes in multiple powder coated and plastic options for the aluminum Base/Neck and plastic Trim.

Base & Neck Powder coat Aluminum

- | | |
|---|--|
|  Matte White |  Gloss Sand RAL |
|  Matte Black |  Gloss Mulberry RAL |
|  Matte Storm | |
|  Matte Fog | |



Molded Plastic Trim Inserts

- | | | |
|---|---|--|
|  White |  Poppy |  Dune |
|  Fog |  Berry |  Rosemary |
|  Storm |  Peacock |  Moss |
|  Black |  Dusk |  Clay |
| |  Honey |  Pinecone |
| |  Navy | |

Colors above represent different material areas that change depending on the finish chosen.