

BYRNE

Start

Edge Mount



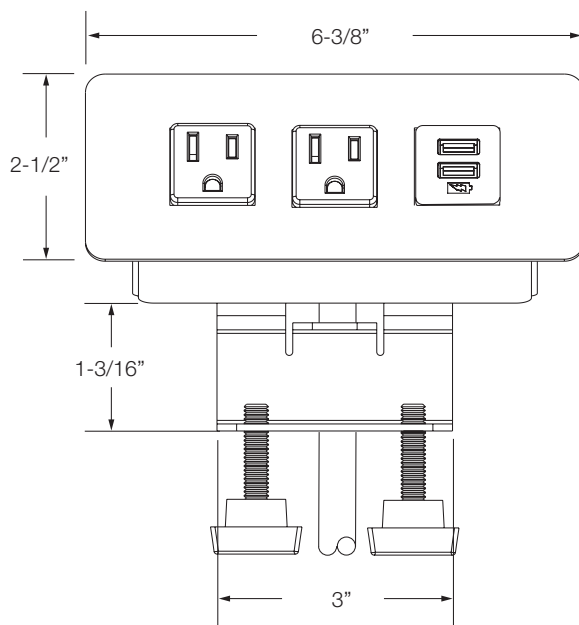
* image shown: 3 Window Start unit with 2 Power, and 1 USB with White Plastic and a White Faceplate.

OVERVIEW

Start's design, with its patented tamper resistant outlets, makes it safe and easy to install power and USB to the edge of a surface. Start is available in one or two ports with options for only power or power and USB charging ports. Start makes charging and convenient power available wherever it is needed.

SPECIFICATIONS

* Images depict a 3 Window unit - with 2 Power and 1 USB.



POWER INFEED OPTIONS

UL Listed

Corded - 16 Guage (12A Load)

CODES

NEW YORK

Start can be used in New York City, per the New York City Electrical Code.

CHICAGO

The Corded Start can be used on Listed freestanding furnishings in Chicago. Limitations apply.

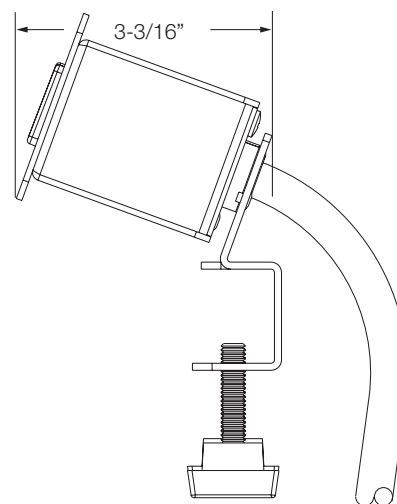


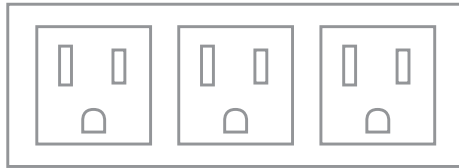
TABLE
THICKNESS

MIN-MAX

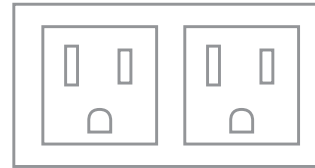
1/2" - 1-3/16"

CONFIGURATIONS

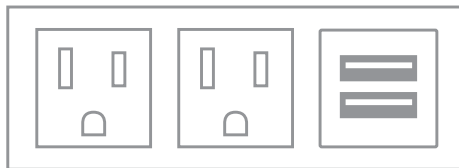
Start is available in 2 or 3 port sizes with the following configuration options.



Three Power



Two Power

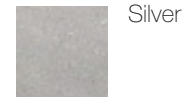


Two Power, One Dual USB A



One Power, One Dual USB A

FINISHES



TECHNOLOGY



TAMPER RESISTANT SIMPLEXES

Tamper Resistant Simplex's Shutter windows only allow plugs to be inserted when both shutters have pressure applied simultaneously.



DUAL USB A CHARGING PORT

This charging port provides two USB-A connections for USB-powered devices and charging mobile electronics. Each USB provides a 2 Amp charge.