

BYRNE

Nacre®



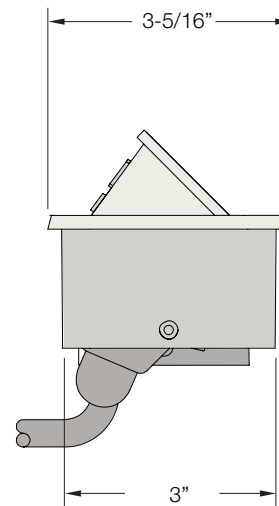
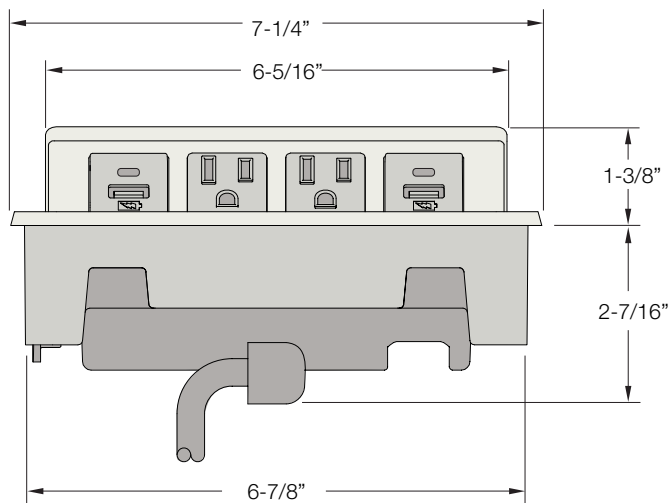
OVERVIEW

Nacre's customizable top - trimmed with a high-gloss plastic finish - offers great customizable options. Nacre's pop-up design offers a range of power, data and USB configurations - including our fast charging USB (2 Amp per port) that allows users to charge tablets or other USB-friendly electronics.

* Image shown: 2 Power, 2 USB A+C configuration with Gloss Black

SPECIFICATIONS

* Images depict a 2 power, 1 USB unit and an open data window.



Hole Mount

Cut out size is 3" by 6-15/16" with 3/8" radius corners.

Min Surface Depth 1/2"

POWER ENTRY OPTIONS

UL LISTED

- Corded
- Hardwired
- 4-Trac interconnect
- 8-Trac interconnect

UL RECOGNIZED

- Interlink IQ 2.0
- Interlink

ETL LISTED

- Interlink IQ 2.0
- Interlink

CODES

NEW YORK

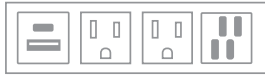
The Corded Nacre can be used in the New York City, as per the New York City Electrical Code.

CHICAGO

The Corded Nacre can be used on Listed freestanding furnishings in Chicago. Limitations apply.

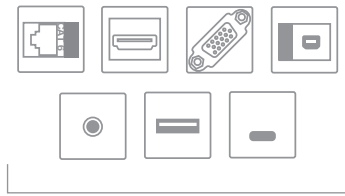
CONFIGURATIONS

4 window unit with power and technologies available in the blank spaces shown below.



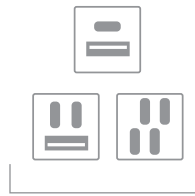
INTEGRATED TECHNOLOGIES

The power simplexes must be installed in the middle of this product with technology on either end.



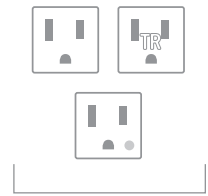
NON-POWERED

Cat6, Cat6A, HDMI, VGA, Mini DisplayPort, Stereo Jack, Passive USB-A, Passive USB-C
NOTE: Factory install only for Mini DisplayPort



POWERED

USB-4C, Dual C+A, USB A+C
NOTE: Powered Technologies do not transfer data



POWER SIMPLEX

Tamper Resistant & Hospital Grade Available

FINISHES

The simplexes and insert lid will default to the body finish chosen, but can be customized with accent colors, and personalized lids.

MOLDED PLASTIC



Gloss Black



Gloss White



Gloss Fog



Gloss Storm

CUSTOMIZE THE LID

With a removable lid, there's plenty of room for customization. Feel free to personalize your Nacre with color, branding, patterns, and even alternative materials. If you have an idea for a lid design, just let us know!



Email a jpeg, PNG, PDF, Ai, or EPS file to Customer Relations. Our design team will send you a digital proof of the lid the same day.

Note: The lid design must be approved by our internal team, as well as by the customer, prior to submitting any product order.