

BYRNE

Twine

OVERVIEW

With a single corded infeed, Twine allows discreet power distribution to up to 6 unique accessories, spanning 25 ft long. Multiple Byrne power accessories are offered with configurable sizes, finishes and power & USB options.

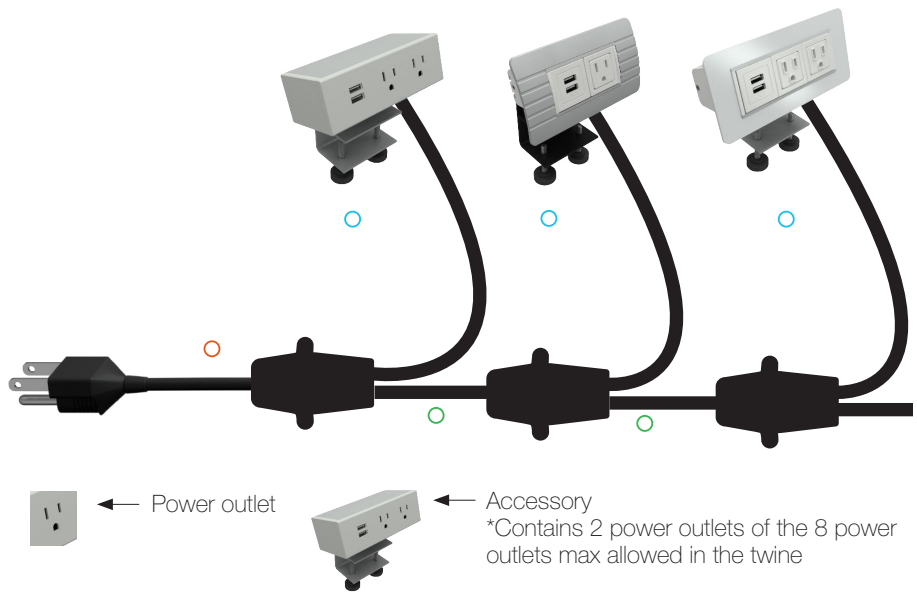
ETL Configuration Guidelines

LENGTH OPTION

- Main stem length (must be less than or equal to 300")
- Branch lengths (9" to 72")
- Infeed length (38" to 291")

POWER OPTIONS

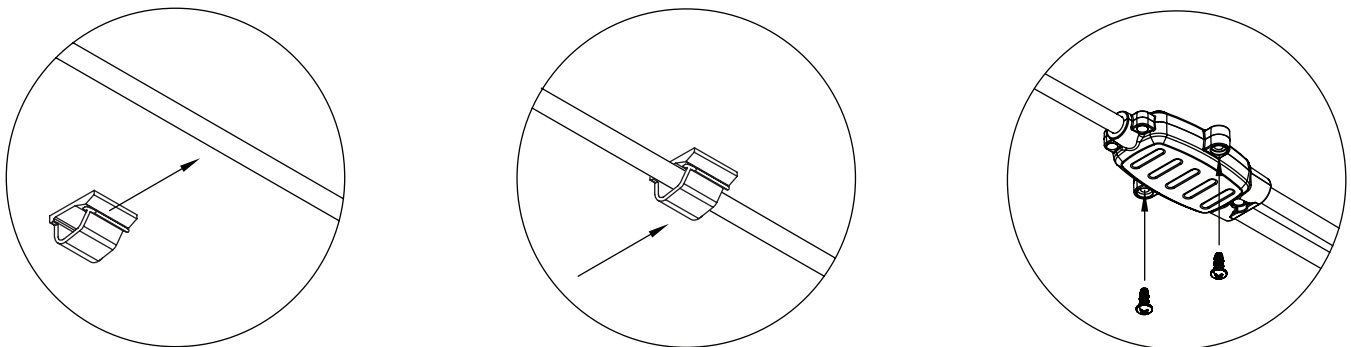
- 8 power outlets max per Twine
- 6 Accessories max per Twine
- 3 Power outlets max per accessory



Configure and customize your Twine online at www.twine.byrne.com

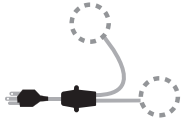
MOUNTING COMPONENTS

Cord management and mounting clips are included for easy, and discreet, installation.

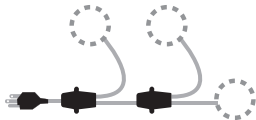


CONFIGURATIONS AVAILABLE

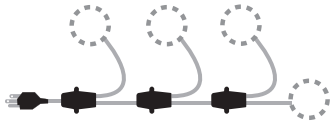
2 Accessories



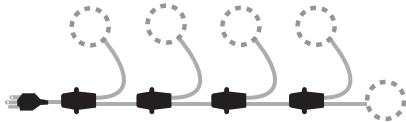
3 Accessories



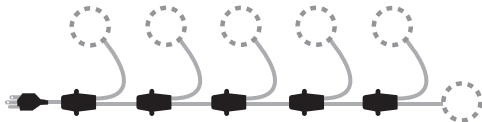
4 Accessories



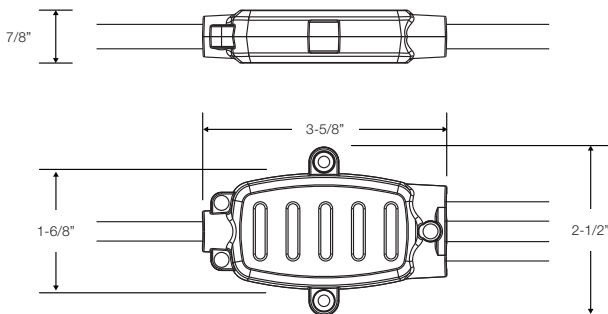
5 Accessories



6 Accessories



KNOT SPECS



POWER ENTRY & CODES

Circuit Breaker Plug will be seen on end of units that contain 4 or more power simplexes (shown below on the left)

Also available with a Replaceable Surge Plug (shown on the right)

ETL LISTED
Corded



AVAILABLE BYRNE ACCESSORIES

The below list of products are available as standard options for Twine. Details on finishes, mounting styles, and power options for each product can be found online, or on their cut sheets. For a complete list of available accessories, visit www.twine.byrne.com

Assemble	Mho
Axil X	Moiré
Axil Y	Nacre
Burelé	Ohm
Dean	Pepper
Dot	Willow
Ellora	Garcia*
Glenbeigh	Solo
Mini-Tap	

*GARCIA GUIDELINE

Twine's ETL listing allows for a maximum of 8 power outlets per single infeed. Garcia (a USB only solution) equals one power outlet when specified on Byrne's Twine system.

For a completely Low Voltage (USB) Twine solution, a maximum of 6 Garcia's can be configured with one infeed.

