

# BYRNE

## Qi Charging Puck

### OVERVIEW

With the magic of wireless inductive charging at its center, our installed Qi Charging Pucks take easy to a whole new level. The sleek grommet design can be quickly installed in any table or worksurface, and once in place, provides cord-free, tangle-free power for any Qi-enabled device. The hidden mount sits just below the worksurface. No hole, no clutter – just the same smooth surface you started with. (Stickers that indicate where to charge are included.) Simply set down your smartphone or tablet where needed and you're powering up – all from a single outlet. Now, that's magic with muscle.



Shown here: Surface Mount

### SPECIFICATIONS

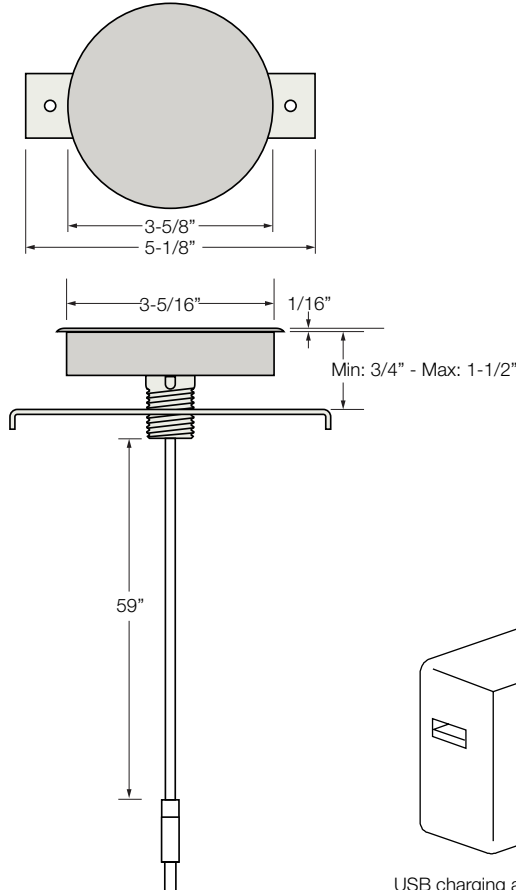
#### 10W Max Output

Samsung 10W Fast Charge

iPhone 7.5W Fast Charge

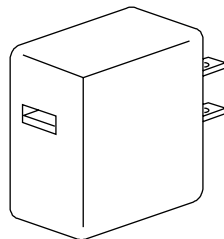
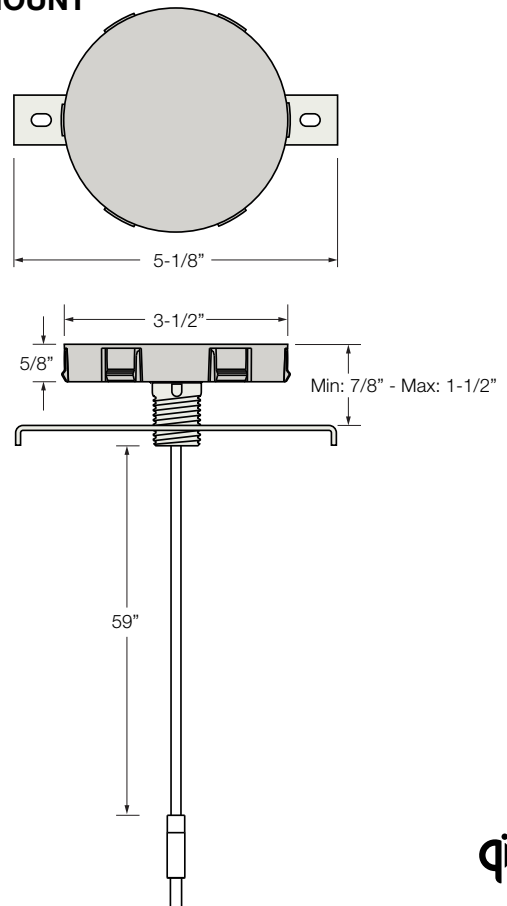
#### SURFACE MOUNT

BE07643



#### HIDDEN MOUNT

BE07644



USB charging adapter included



## CUT OUT DIMENSIONS

MOUNT	DIAMETER	DEPTH	BRACKET WIDTH
Surface	85mm	<b>THROUGH SURFACE</b> Min: 3/4" — Max: 1-1/2"	5-1/8"
Hidden	90mm	<b>LEAVE 2-3MM OF SURFACE INTACT</b> Min: 7/8" — Max: 1-1/2"	5-1/8"

## FINISHES

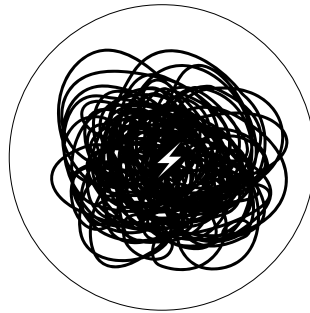
### MOLDED PLASTIC



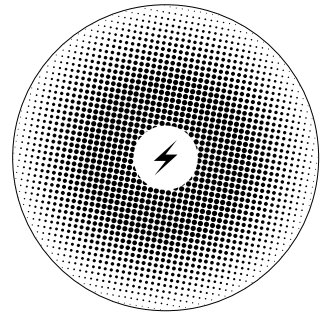
Black Molded Plastic

### DESKTOP DECALS

Both stickers are included with Hidden Mount.  
Replacement Part Number BE06500



Printed in Black on Clear



Printed in White on Clear