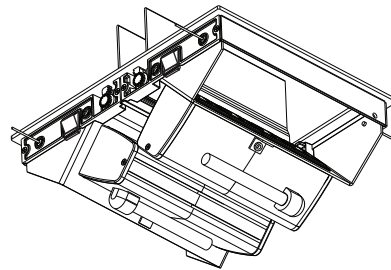
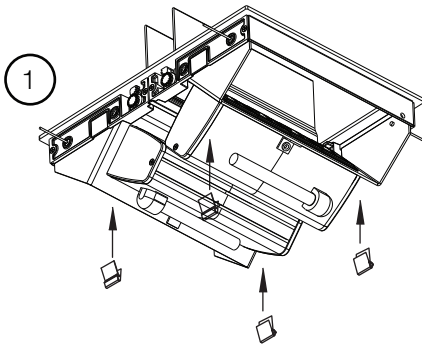
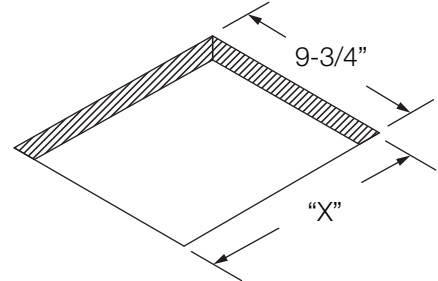


# BYRNE

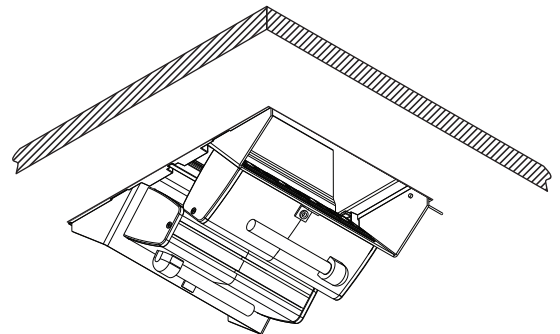
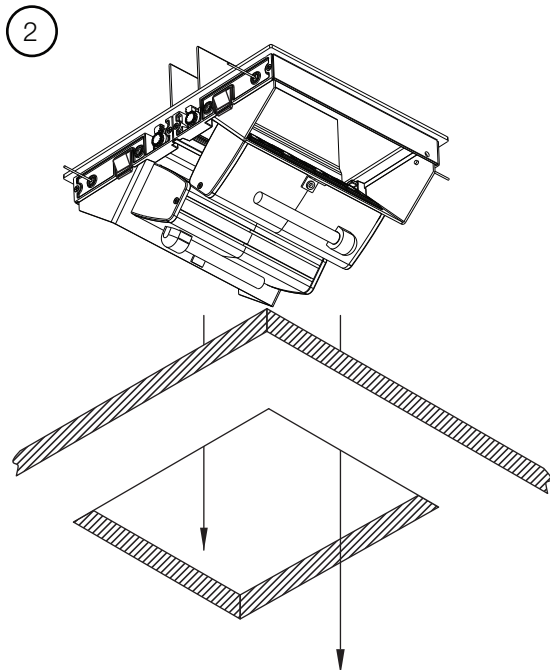
## INSTALLATION INSTRUCTIONS FOR DOUBLE ELLORA B

Install data jacks as described in the installation instructions provided with data adapters, BE03655

Double Ellora B		"X" Dim.
BE02511B-2X	4 Windows	7-7/8"
BE02511B-2X	6 Windows	10-7/8"



Attach 2 clips at the connect points along each side of the unit.



**Note:** In a conduit application, conduit should be supported according to local code.