

# BYRNE

## Power Kits For Locker Systems



## SYSTEM FEATURES

---

- 120", 15 Amp Corded, Plug & Play Infeed
- Modular connections distribute power from one locker to the next
- Preconfigured solutions for Tall, Medium and Cubby sized storage
- Available in standard kits for 4, 6, 8 and 20 pack layout
- Choose between under mounted power and charging USB (Miki) or in-surface installed Snap In Duplex
- Grommets for metal or composite cutouts included

## POWER ENTRY

---

### **ETL LISTED**

## EACH KIT INCLUDES

---

- Corded Infeed
- Jumpers
- Distribution Blocks
- Power Accessory (Miki or Snap In Duplex)
- Grommets and Cord Management

*\*Exact Kit Solution depends on Locker Size and Layout Selected*

## CODES

---

### **NEW YORK**

Pattern can be used in the New York City, per the official NYC Electrical Code.

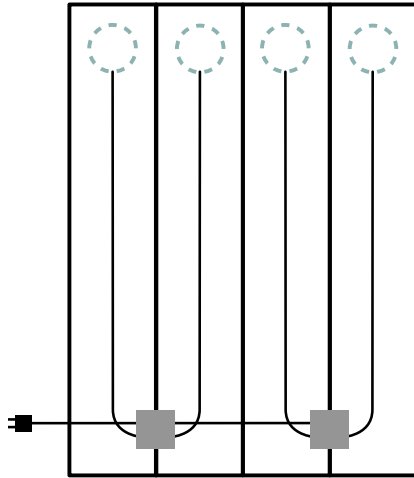
### **CHICAGO**

Pattern can be used on Listed freestanding furnishings in Chicago. Limitations apply.

# TALL LOCKERS

Component specifications on Page 6.

## TALL 4-PACK



### Metal Part Numbers

**Miki - 1 Power, 1 USB-A+C**  
Black - BE06523-0000760  
White - BE06523-0000766

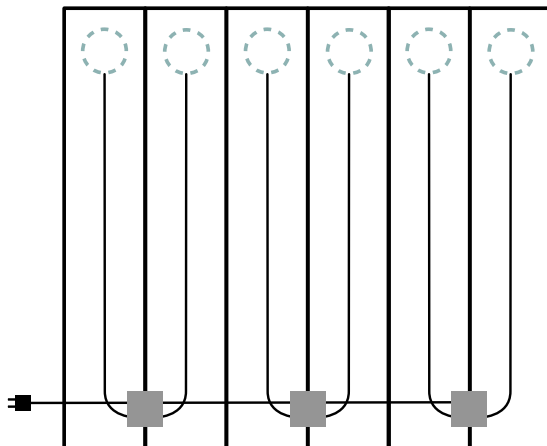
**Snap In Duplex - 2 Power**  
Black - BE06523-0000784

### Wood Part Numbers

**Miki - 1 Power, 1 USB-A+C**  
Black - BE06523-0000772  
White - BE06523-0000778

- (1) 120" Power Infeed
- (2) Gray Distribution Blocks with Mounts
- (4) Miki with 72" cord/Snap In Duplex with 60" cord
- (1) 12" Jumper Cable
- (12) Cord Management Clips
- (4) Grommets/Rubber Rings (Miki Only)

## TALL 6-PACK



### Metal Part Numbers

**Miki - 1 Power, 1 USB-A+C**  
Black - BE06523-0000761  
White - BE06523-0000767

**Snap In Duplex - 2 Power**  
Black - BE06523-0000785

### Wood Part Numbers

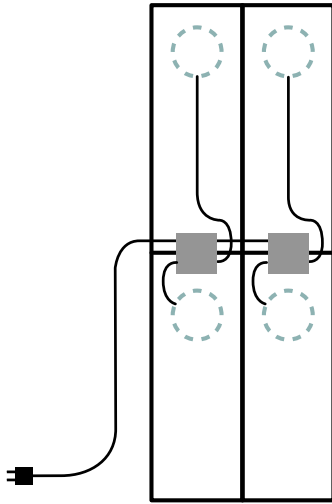
**Miki - 1 Power, 1 USB-A+C**  
Black - BE06523-0000773  
White - BE06523-0000779

- (1) 120" Power Infeed
- (3) Gray Distribution Blocks with Mounts
- (6) Miki with 72" cord/Snap In Duplex with 60" cord
- (2) 12" Jumper Cables
- (18) Cord Management Clips
- (6) Grommets/Rubber Rings (Miki Only)

# MEDIUM LOCKERS

Component specifications on Page 6.

## MEDIUM 4-PACK



### Metal Part Numbers

**Miki - 1 Power, 1 USB-A+C**  
Black - BE06523-0000762  
White - BE06523-0000768

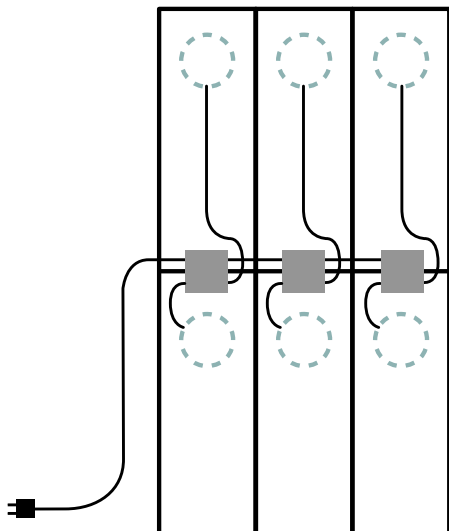
**Snap In Duplex - 2 Power**  
Black - BE06523-0000786

### Wood Part Numbers

**Miki - 1 Power, 1 USB-A+C**  
Black - BE06523-0000774  
White - BE06523-0000780

- (1) 120" Power Infeed
- (2) Gray Distribution Blocks with Mounts
- (4) Miki with 48" cord/Snap In Duplex with 36" cord
- (1) 12" Jumper Cable
- (12) Cord Management Clips
- (4) Grommets/Rubber Rings (Miki Only)

## MEDIUM 6-PACK



### Metal Part Numbers

**Miki - 1 Power, 1 USB-A+C**  
Black - BE06523-0000763  
White - BE06523-0000769

**Snap In Duplex - 2 Power**  
Black - BE06523-0000787

### Wood Part Numbers

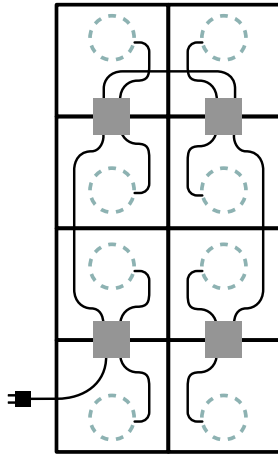
**Miki - 1 Power, 1 USB-A+C**  
Black - BE06523-0000775  
White - BE06523-0000781

- (1) 120" Power Infeed
- (3) Gray Distribution Blocks with Mounts
- (6) Miki with 48" cord/Snap In Duplex with 36" cord
- (2) 12" Jumper Cables
- (18) Cord Management Clips
- (6) Grommets/Rubber Rings (Miki Only)

# CUBBY LOCKERS

Component specifications on Page 6.

## CUBBY 8-PACK



### Metal Part Numbers

**Miki - 1 Power, 1 USB-A+C**  
Black - BE06523-0000764  
White - BE06523-0000770

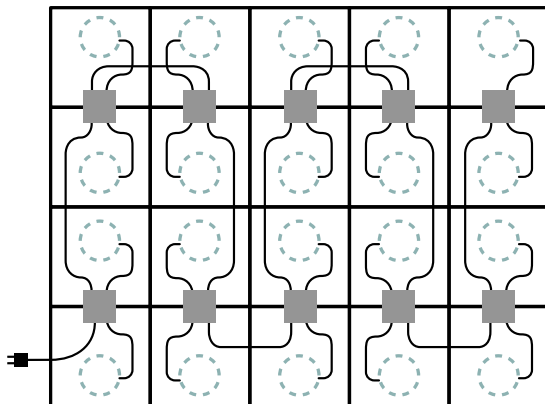
**Snap In Duplex - 2 Power**  
Black - BE06523-0000788

### Wood Part Numbers

**Miki - 1 Power, 1 USB-A+C**  
Black - BE06523-0000776  
White - BE06523-0000782

- (1) 120" Power Infeed
- (4) Gray Distribution Blocks with Mounts
- (8) Miki with 24" cord/Snap In Duplex with 18" cord
- (1) 12" Jumper Cable
- (2) 24" Jumper Cable
- (12) Cord Management Clips
- (8) Grommets/Rubber Rings (Miki Only)

## CUBBY 20-PACK



### Metal Part Numbers

**Miki - 1 Power, 1 USB-A+C**  
Black - BE06523-0000765  
White - BE06523-0000771

**Snap In Duplex - 2 Power**  
Black - BE06523-0000789

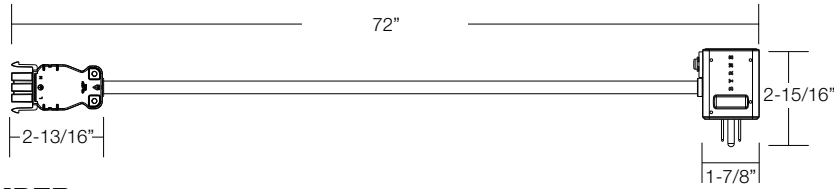
### Wood Part Numbers

**Miki - 1 Power, 1 USB-A+C**  
Black - BE06523-0000777  
White - BE06523-0000783

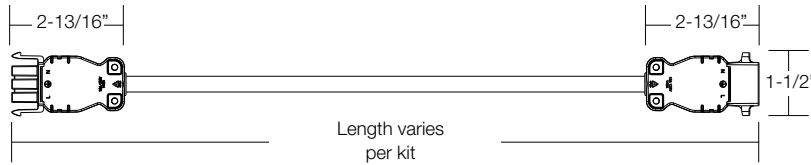
- (1) 120" Power Infeed
- (10) Gray Distribution Blocks with Mounts
- (20) Miki with 24" cord/Snap In Duplex with 18" cord
- (4) 12" Jumper Cable
- (5) 24" Jumper Cable
- (60) Cord Management Clips
- (20) Grommets/Rubber Rings (Miki Only)

# LOCKER POWER SPECIFICATIONS

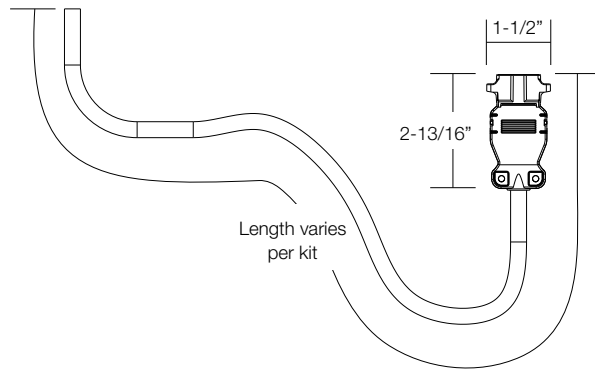
## INFEED



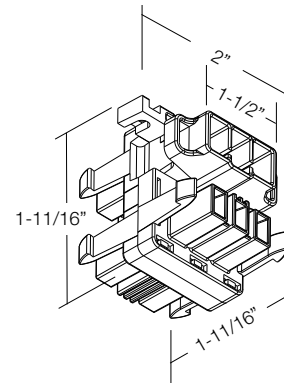
## JUMPER



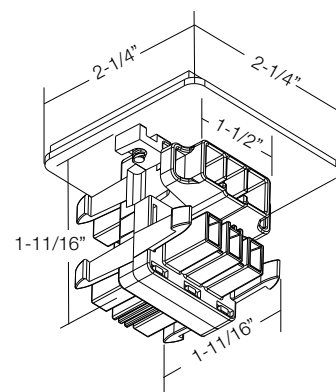
## ACCESSORY CORD (POWER UNIT)



## WOOD DISTRIBUTION BLOCK

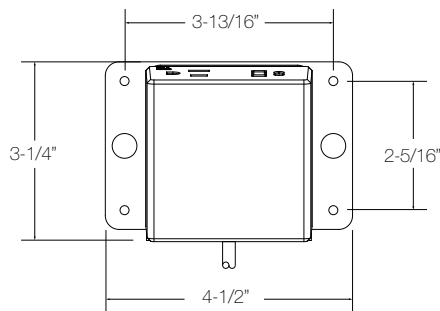


## METAL DISTRIBUTION BLOCK

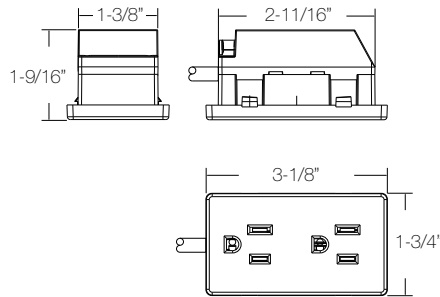


# ACCESSORIES

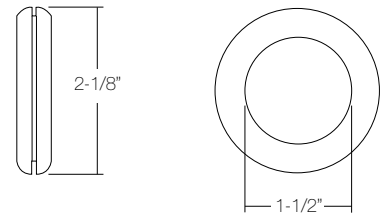
## MIKI LOCKER MOUNT



## SNAP IN DUPLEX



## METAL GROMMET



## WOOD GROMMET

