

BYRNE

Sequence

OVERVIEW

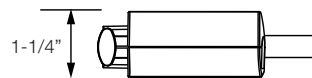
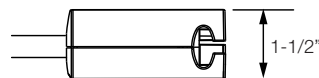
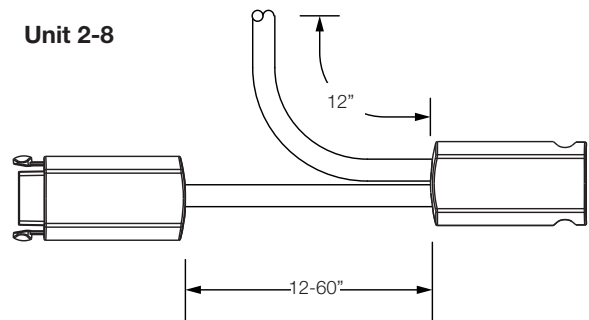
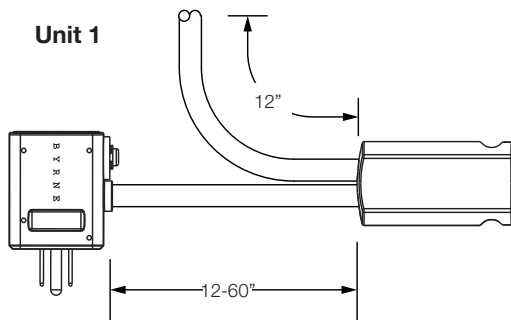
Sequence allows users to connect one Byrne desktop power solution to the next - providing power for all in the series, with just one single corded infeed.

Single circuit power
15 Amp power cord
Up to 8 power units
Must be connected in sequence
40 ft. maximum run length



SPECIFICATIONS

Sequential jumper must be added to span a distance that is greater than 60". Each unit is keyed to be in a specific order. A Sequence jumper cannot be added later unless the keying matches the unit it is replacing in the sequence.



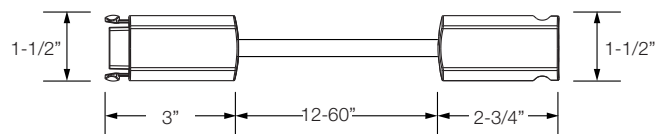
LISTINGS

UL RECOGNIZED

Furniture must be listed with Byrne Sequence

ETL LISTED

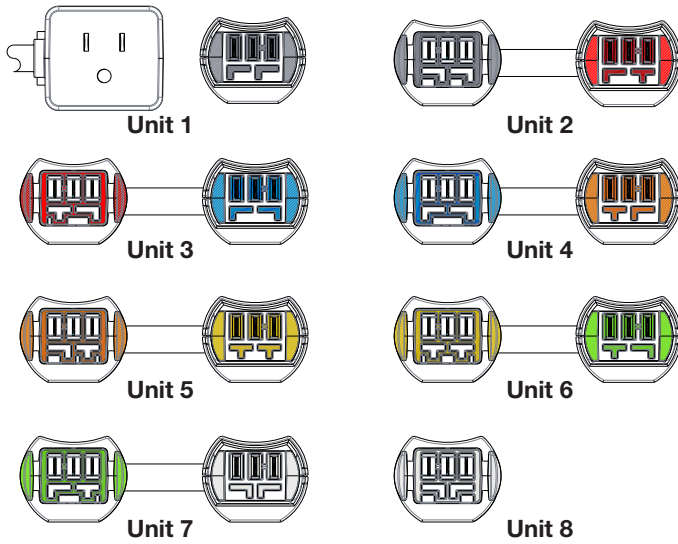
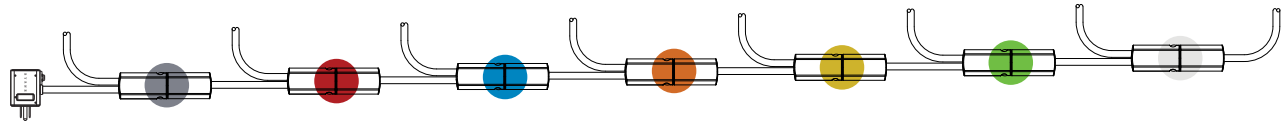
Jumper



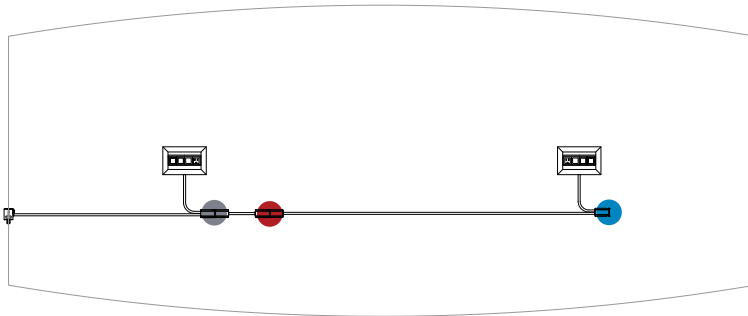
* You may use a jumper to reach lengths over 60" between two power units, but it will count towards your max power units allowance.

KEYING ORDER

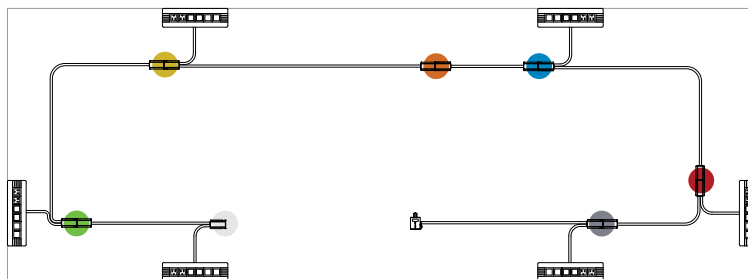
Each unit is keyed to be in a specific order. A Sequence jumper cannot be added later unless the keying matches the unit it is replacing in the sequence.



LAYOUT EXAMPLES



Conference Table
2 Mho Units



Conference Table
6 Byrne Assemble Units