

# BYRNE

## Retrofit USB-A



\* image shown: Dual USB-A connection Retrofit USB in Black

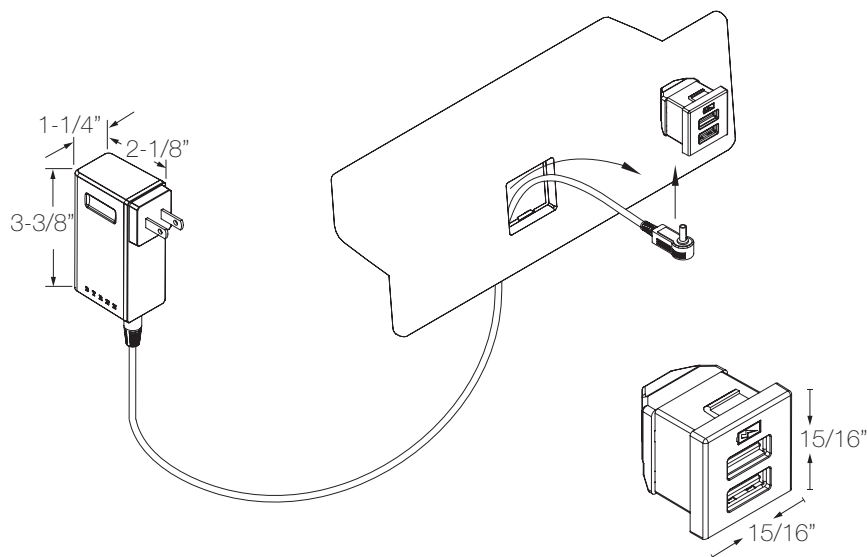
### OVERVIEW

---

Retrofit provides two USB-A connections for USB-powered devices and charging mobile electronics. Can be installed at Byrne or in the field. This retrofit solution requires a separate power cord whether it is installed at Byrne or in the field.

### SPECIFICATIONS

---



#### POWER SUPPLY

20W

Barrel connector  
Replacement part number  
BE04571-color-length

2.1 Amp per port

72" cord

**UL LISTED**

## SIZE

---

Dual USB-A with 2.1 Amp connections for charging USB-powered devices and mobile electronics. Requires one open port in a Byrne accessorie.



## AVAILABLE BYRNE ACCESSORIES

---

Retrofit USB can be added to the following list of products. Details on finishes, mounting styles, and power options for each product can be found online, or on their cut sheets. For a complete list of available accessories, visit [www.byrne.com](http://www.byrne.com)

<b>Assemble Line</b>	<b>Nacre</b>	<b>Dot</b>
<b>Axil Line</b>	<b>Moire</b>	<b>Glenbeigh</b>
<b>Mho Line</b>	<b>Burele</b>	<b>Ohm</b>
<b>Ellora Line</b>	<b>Node</b>	

## FINISHES

---

Power Supply and cord are only available in Black or White. Plastics listed below are for the retrofit USB-A insert.

### Plastic

 Black Molded Plastic	 Poppy Molded Plastic	 Peacock Molded Plastic
 White Molded Plastic	 Storm Molded Plastic	 Fog Molded Plastic
 Honey Molded Plastic	 Dusk Molded Plastic	
 Navy Molded Plastic	 Berry Molded Plastic	