

BYRNE

MagPuck Mounts

MagMount + MagStand

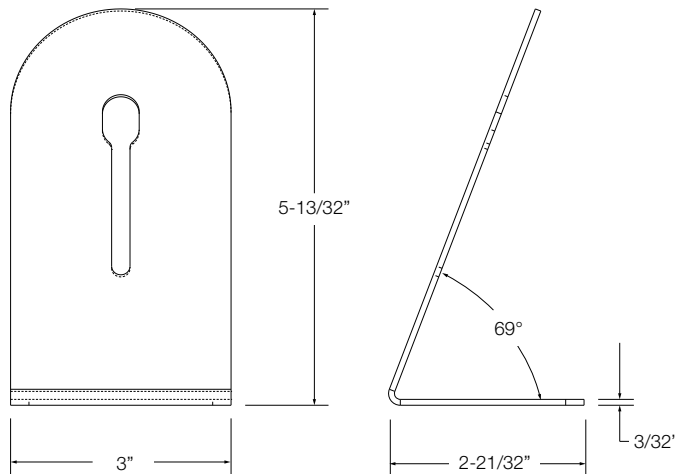


OVERVIEW

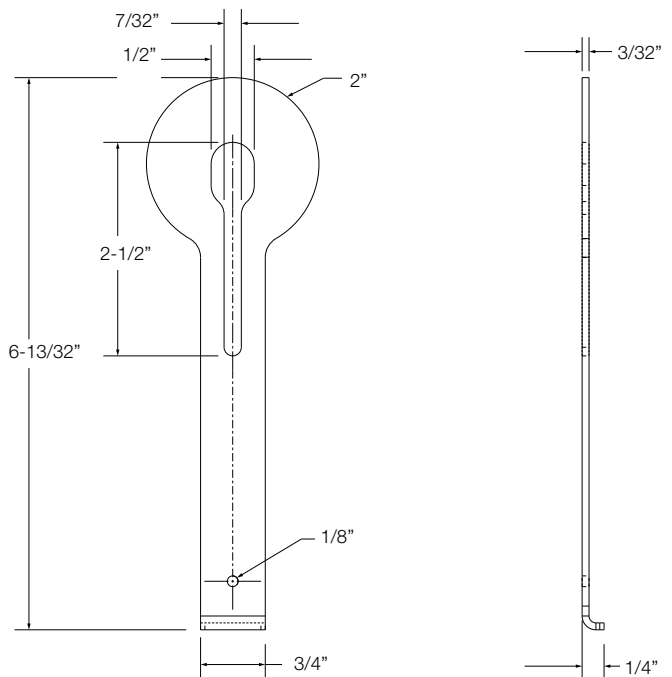
With more and more wireless charging in the mix, you need solutions that play nicely with your existing power. MagStand and MagMount do just that. These streamlined metal supports neatly secure MagSafe charging pucks, keeping phones safely in place and your desktop clutter free. MagStand offers a freestanding design while MagMount easily affixes to the back of many popular Byrne products. Available in coordinating black and white finishes too. Just plug into any USB-C port and your puck is ready to charge in modern style. How's that for a little Byrne "Mag"ic?

SPECIFICATIONS

MagStand



MagMount



*MagMount can be attached to the following list of Edge or Monument Mount products.

Assemble Dot Axil Dean