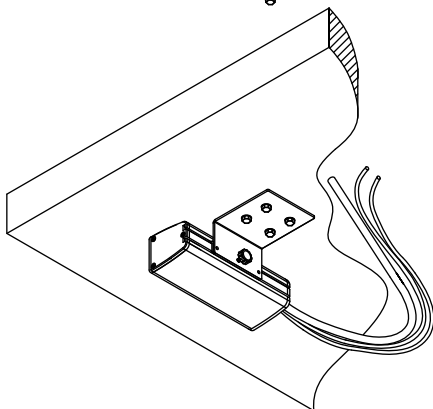
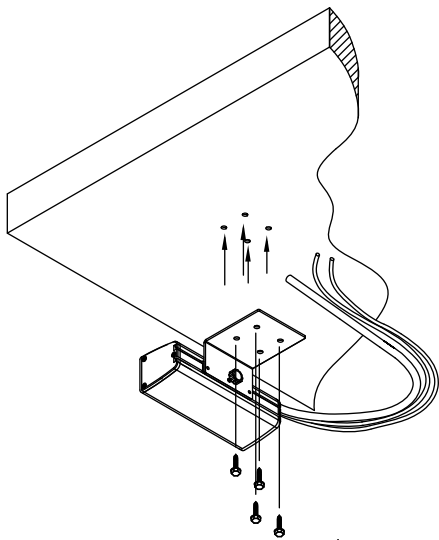
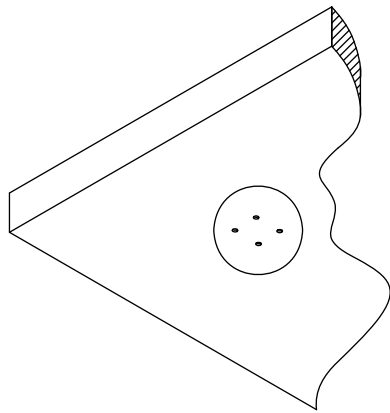


# BYRNE™

## INSTALLATION INSTRUCTIONS FOR "GJ" MOUNT

Install data jacks as described in the installation instructions provided with data adapters, BE03655



**NOTE: Screws not included**  
Drill for #10-16 Screw

