

BYRNE

E2XB

OVERVIEW

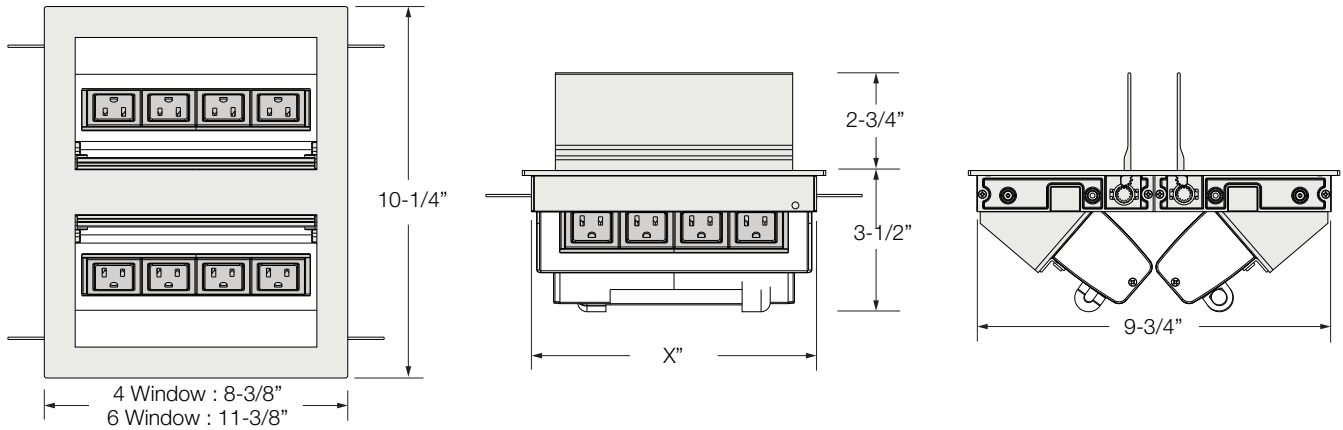
One of our most powerful power solutions just got even more... powerful. Meet Double Ellora B, E2XB for short. It offers the same seamless in-surface design as our classic Ellora B. The same scalable power and data options too. But doubled—so it can deliver easy access from both sides of the table, for more space to plug in. If you're already using Ellora products in your workplace, E2XB is the perfect way to add serious two-sided power while maintaining the same clean, modern look. And all with a generous, soft-closing lid that hides cord clutter neatly out of sight. For the power to make any team twice as powerful, it's Double Ellora B.



* image shown: 6 window unit in White powder coat with White simplexes, White inside faceplate

SPECIFICATIONS

* Images depict a 4 Window Ellora B with 4 power



CUT OUT DIMENSION

Windows Per Side	Length	Width (X)
4 Windows (8 Window total)	9-3/4"	7-7/8"
6 Windows (12 Window total)	9-3/4"	10-7/8"

Min Surface Depth

3/8"

POWER ENTRY OPTIONS

UL LISTED
 Corded
 Hardwired
 4-Trac interconnect
 8-Trac interconnect

**UL RECOGNIZED
 & ETL LISTED**
 Interlink IQ 2.0
 Interlink

CODES

NEW YORK
 The Corded Double Ellora B can be used in New York City as per the New York City Electrical Code.

CHICAGO
 The Corded Double Ellora B can be used on Listed freestanding furnishings in Chicago. Limitations apply. The Hardwired Double Ellora B must be used on all other furnishings in Chicago

CONFIGURATIONS SIZE

Double Ellora B offers 4 or 6 windows on each side, for a total of 8 or 12 windows respectively. Each window can hold a variety of power or data options.



INTEGRATED TECHNOLOGIES

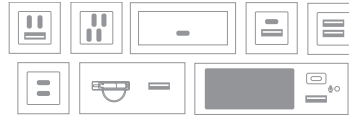
The power simplexes must be grouped together and installed at the **right end of each side** of this product. Technologies requiring power must immediately follow.



NON-POWERED

Cat6, Cat6A, HDMI, DisplayPort, DVI, Mini DisplayPort, Stereo Jack, Belay, Passive USB-A, and Passive USB-C

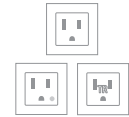
NOTE: Factory install only for DisplayPort and Mini DisplayPort



POWERED

USB A+C, Dual USB, USB-4C, Dual C+A, Dual USB-C 45W, USB-C 60W, Retractable Charging Cord, Bluetooth® Speaker

NOTE: Powered technologies do not transfer data



POWER SIMPLEX

Tamper Resistant & Hospital Grade Available

FINISHES

Double Ellora B is offered in 4 on-trend powder coated colors: Matte Black, Matte White, Matte Storm, and Matte Fog. The power and data options are molded plastic in the same colors. The inside faceplate is matte white unless the unit is black, in which case the inside faceplate is also black. Custom options for finishes are also available.

HOUSING AND GROMMET



Matte Black Powder Coated



Matte Storm Powder Coated



Matte White Powder Coated



Matte Fog Powder Coated

INSIDE FACEPLATE & BODY



Matte Black Powder Coated



Matte White Powder Coated

PLASTIC SIMPLEXES, WINDOW FRAMES AND END CAPS



Black Molded Plastic



Storm Molded Plastic

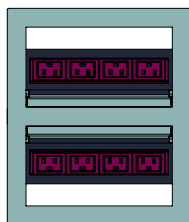


White Molded Plastic



Fog Molded Plastic

FINISH AREAS



Anodized Aluminum Housing and Grommet

Simplex, Window Frames, and End Cap

Powder Coated Inside Faceplate