

BYRNE

Dean Qi®

Edge Mount

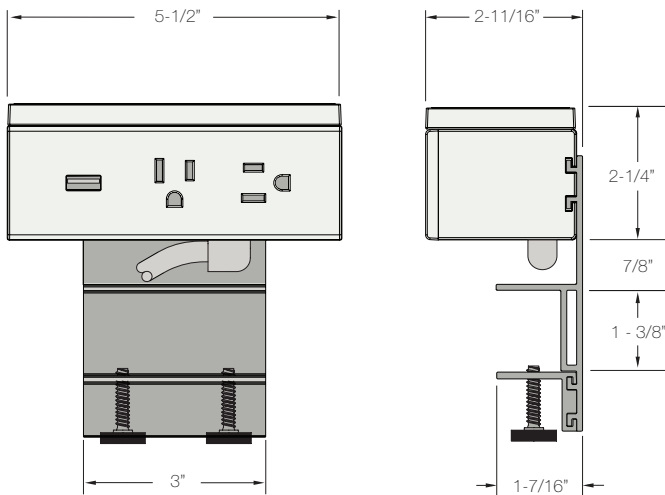


* Image depicts a 3 window unit with 2 power, 10W Qi, and 1 USB with A4 mount in Fog

OVERVIEW

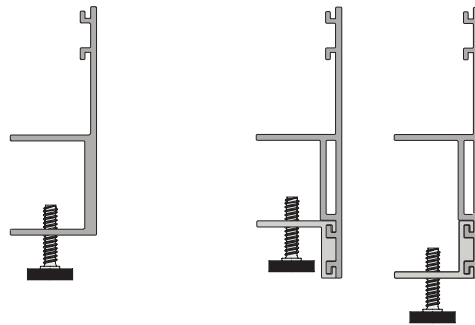
Dean Qi offers the same seamless, modern profile as our original Dean, but with great new wireless charging capabilities—simply set your Qi-friendly device on the lid. Dean Qi offers blended power and USB charging too. But here's the best part—that charging lid also allows endless opportunities to personalize your power with whatever inspires you. Color. Branding. Textures. You can even coordinate the body to any lid design in a wide range of fun finishes. Dean Qi. Smooth, smart desktop power and wireless charging with style that you can truly make your own.

SPECIFICATIONS



Mounting Brackets

Dean Qi Comes standard with the A3 mount but can be specified with the A4 mount which allows for a greater range of table thicknesses and makes mounting in limited space a snap!



A3 Mount: works on tables from 1/4" to 1-1/2"

A4 Mount: works on tables from 1/4" to 2-1/8"

POWER ENTRY OPTIONS

UL LISTED

- Corded
- Hardwired
- 4-Trac
- 8-Trac

UL RECOGNIZED

- Interlink
- Interlink IQ

ETL LISTED

- Interlink
- Interlink IQ 2.0

NEW YORK

The Corded Dean can be used in the New York City, per the official NYC Electrical Code.

CHICAGO

The Hardwired Dean Qi must be used in the City of Chicago.

FINISHES

Dean Qi's housing is clear anodized aluminum. The color of the cord will default to white unless the faceplate and end caps are black, in which case it will default to a black cord.

MOLDED PLASTIC BODY/SOFT TOUCH LIDS

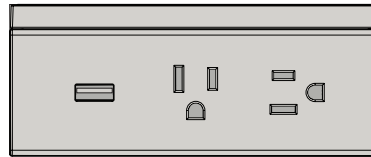


FINISH AREAS

The lid of Dean Qi has a phone friendly Soft Touch finish, both lid and body default to the same color if not customized.



Soft Touch Lid



Molded Plastic Body

CUSTOMIZE THE LID

With Dean Qi's molded plastic lid, there's plenty of room for customization too. Feel free to personalize your Dean Qi with color, branding, and even textures. If you have an idea for a lid design, just let us know!



Email a jpeg, PNG, PDF, Ai, or EPS file to Customer Relations. Our design team will return a digital proof of the lid the same day.

Note: The lid design must be approved by our internal team, as well as by the customer, prior to submitting any product order.

CONFIGURATIONS

3 window unit with 1 USB A and a single 5W Qi charging coil on top



Tamper Resistant

Tamper Resistant units will be labeled with TR in the left hand corner of the faceplate.

